

B.E.G.**LUXOMAT®**

Aleum Glow AD

Prod.No. 93134 EAN: 4007529931347

- Voltage: 230 V AC $\pm 10\%$ 50 / 60 Hz
- Dimensions: 105 x 54 x 71 mm
- Settings: B.E.G. App (Bluetooth)

Order data

| Designation | Colour | Art.No |
|---------------|------------|--------|
| Aleum Glow AD | anthracite | 93134 |

Accessories

| Designation | Colour | Art.No |
|----------------------------------|--------|--------|
| RC-Arc extinction kit | white | 10880 |
| Mini-RC-Arc extinction kit | | 10882 |
| Wire basket BSK (Ø 164 x 143 mm) | white | 92467 |

Technical data

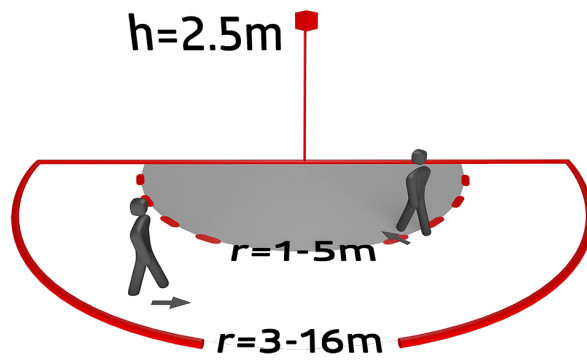
| | |
|---|--|
| Voltage: | 230 V AC $\pm 10\%$ 50 / 60 Hz |
| Dimensions: | 105 x 54 x 71 mm |
| Settings: | B.E.G. App (Bluetooth) |
| Power consumption: | approx. 0.5 W |
| Detection area: | horizontal 180° (Wall mounting) max. 16 m across max. 5 m towards |
| Range: | max. 3 m anti- creep protection |
| Monitored area (tangential movement): | 400 m ² / 2.5 m mounting height |
| Mounting height min./max./recommended: | 2 m / 4 m / 2.5 m |
| Degree / class of protection: | IP54 / Class II |
| Impact strength: | IK03 |
| Ambient temperature: | -25 °C to +50 °C |
| Housing: | polycarbonate, UV-resistant |
| Material color: | anthracite mat, similar to RAL7016 |
| Connections and wires: | for solid conductors 0.5 - 2.5 mm ² |

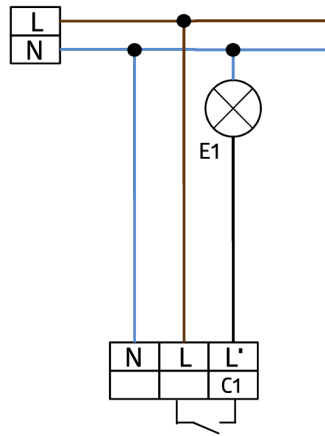
Channel 1 (lighting control)

| | |
|----------------------|--|
| Switching power: | 2300 W, $\cos \varphi$ = 1 1150 VA, $\cos \varphi$ = 0.5 800 W LED max. inrush current I_p (20 ms) = 165 A max. inrush current I_p (200 μ s) = 800 A |
| Type of contact (k): | 1x μ -contact, NO contact with tungsten pre- make contact |
| Follow-up time: | 10 sec - 30 min, Pulse |
| Ambient light: | 0 - 100 % / 10 s - 6 h / 16 colours |
| Switch-on threshold: | 10 - 2500 Lux |

Product information

| |
|---|
| Motion detector with 180° detection area and anti-creep zone |
| Ambient light |
| Further functions can be set via Bluetooth using the B.E.G. app |
| Mechanical range adjustment of different PIRs |
| Different follow-up time depending on direction of movement |
| Uninterrupted parallel circuit detection of several detectors |
| Immediate operation using factory settings |
| Zero crossing switching |
| Faulty switching due to animals can be avoided by reducing the sensitivity |
| Easy mounting thanks to plug base |
| Bluetooth can be switched off |
| Wall installation |
| Factory settings 3 min, 20 lux, PIR sensitivity: max ambient light colour: white; brightness: 100%; follow-up time: 5 min |





Accessories



RC-Arc extinction kit

Art.No: 10880

Voltage: 230 V AC ±10%

Dimensions: 38 x 12 x 26 mm

Degree / class of protection: IP20 /
Class II



Mini-RC-Arc extinction kit

Art.No: 10882

Voltage: 230 V AC ±10%

Dimensions: 50 x 23 x 8 mm

Degree / class of protection: IP20 /
Class II



Wire basket BSK (Ø 164 x 143 mm)

Art.No: 92467

Dimensions: Ø 164 x 143 mm

Impact strength: IK09

Housing: coated steel basket