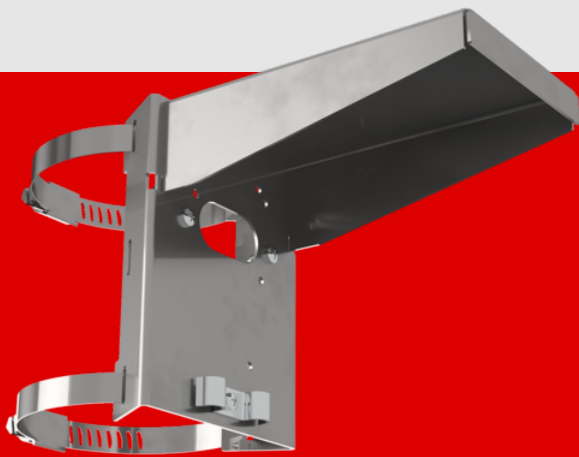


**B.E.G.**



## Pole holder

Prod.No. 93220 EAN: 4007529932207

- Dimensions: 188 x 98 x 134 mm
- Housing: stainless steel
- Material color: stainless steel

### Order data

Designation	Colour	Art.No
Pole holder	stainless steel	93220

## Technical data

Dimensions: 188 x 98 x 134 mm  
Housing: stainless steel  
Material color: stainless steel

## Product information

Fixture and weather protection element made of stainless steel

Allows pole mounting of compatible B.E.G. outdoor motion detectors

Including screws for mounting a compatible B.E.G. outdoor motion detector

For usability/compatibility of the accessories please refer to the descriptions of the main articles

Suitable for mounting with rear or side cable entry

Cable clamps for strain relief of the connection cables

Including 2 band clamps with quick release

Suitable for: 91001, 91002, 91008, 91012, 91018, 91021, 91022, 91028, 91048, 91101, 91102, 91121, 91122, 93308, 93321, 93323, 93324, 93331, 93333, 93334, 93341, 93343, 93344, 93346, 93527, 93528, ...

