

**B.E.G.****LUXOMAT<sup>®</sup>net**

## PD4N-KNXs-DX-FC Set 93516-93732

- Voltage: via KNX BUS
- Dimensions: Ø 106 x 68 mm
- Typ. power input: 12 mA

### Order data

Designation	Colour	Art.No
PD4N-KNXs-DX-FC	white	93516
lens PD4N, Cover ring	traffic white	93732

## Technical data

Voltage:	via KNX BUS
Dimensions:	Ø 106 x 68 mm
Typ. power input:	12 mA
Detection area:	horizontal 360° (Ceiling mounting) max. Ø 24 m across
Range:	max. Ø 8 m towards max. Ø 6.4 m seated
Monitored area (tangential movement):	450 m <sup>2</sup> / 2.5 m mounting height
Mounting height min./max./recommended:	2 m / 10 m / 2.5 m
Degree / class of protection:	IP20 / Class III
Impact strength:	IK04
Temperature measurement range:	-5 °C to +45 °C
Ambient temperature:	-25 °C to +55 °C
Housing:	polycarbonate, UV-resistant
Number of light sensors:	2
Material color:	<b>traffic white mat, similar to RAL9016 (93732)</b>
Number of PIR sensors:	4
KNX TP 256:	Yes
Orientation light:	5 - 100 % / OFF / 1 min - 255 min
Night light:	5 - 100 %
Brightness set value:	5 - 2000 Lux

## Product information

Set : PD4N-KNXs-DX-FC + lens PD4N, Cover ring  
traffic white mat, similar to RAL9016

KNX occupancy detector with integrated KNX bus connector

KNX Secure ready

HCL/RGB control

Parameterisation from ETS 5 for integration into KNX systems

Individual adaption of detection sensitivity for each PIR sensor

PIR sensors can be deactivated individually

Direction of movement can be identified

Mixed light measurement using internal, external and remote  
(optional) light sensors

Intelligent semi-automatic mode, occupancy-independent  
regulating mode (photoelectric switch), full automatic mode

1 x Light (for regulating or switching), 1 x slave output, 3  
separate HVAC-blocs

Regulation of up to three lighting groups using offset (external  
influence possible)

Short presence, self-adjusting follow-up time, corridor function

Various locking functions

Soft-start

Two logic modules

Recall of light scenes

Deactivatable status indicators

Temperature- and noise sensor

The product database for import into the ETS database can be  
downloaded from the B.E.G. homepage.

Detection area can be extended thanks to master-slave-mode

Extensive optimization options for light measurement

Measured light value is communicated to the bus

Adaption of dimming curve

Bidirectionally remote control-capable with the IR adapter and  
the B.E.G. smartphone app

PIN code

IR remote control-capable via IR remote control (optionally)

5 button remote control, programmable at choice (accessory)

Programming button (phys. address) can be operated via  
remote control

HVAC mode (0=automatic, 1=comfort, 2=stand-by,  
3=economy, 4=antifreeze/heat protection)

Manual influence via external KNX push buttons possible

Function control (heartbeat, cyclical sending)

Occupancy simulation

Forced switch-off

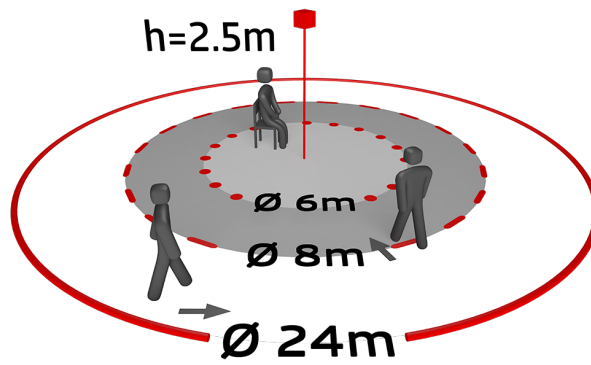
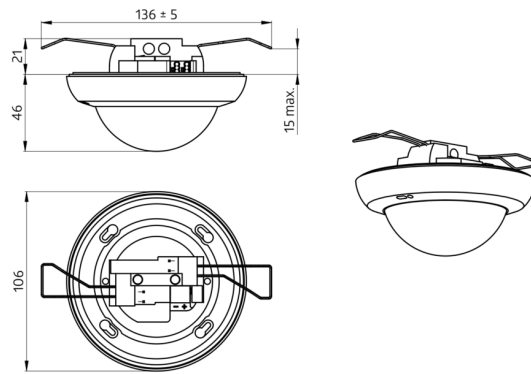
Intelligent central-off function

Premonition of switch-off

Burn-in function for fluorescent lamps selectable from 1h till  
100h

Behaviour upon bus voltage return definable at choice

Variable safety pause after switching off the lights



## Set items

To receive the bundle according to the technical specification, please order the items listed.



### **PD4N-KNXs-DX-FC**

Art.No: 93516

Voltage: via KNX BUS

Dimensions: Ø 106 x 68 mm

Typ. power input: 12 mA

### **lens PD4N, Cover ring**

Art.No: 93732

Detection area: horizontal 360° (Ceiling mounting)

Range: max. Ø 24 m across

max. Ø 8 m towards

max. Ø 6.4 m seated

Monitored area (tangential movement): 450 m<sup>2</sup> / 2.5 m mounting height