

B.E.G.**LUXOMAT[®]net**

PD4N-KNXs-DX-FC Set 93516-93731

- Voltage: via KNX BUS
- Dimensions: Ø 106 x 68 mm
- Typ. power input: 12 mA

Order data

| Designation | Colour | Art.No |
|-----------------------|------------|--------|
| PD4N-KNXs-DX-FC | white | 93516 |
| lens PD4N, Cover ring | anthracite | 93731 |

Technical data

| | |
|---|--|
| Voltage: | via KNX BUS |
| Dimensions: | Ø 106 x 68 mm |
| Typ. power input: | 12 mA |
| Detection area: | horizontal 360° (Ceiling mounting) max. Ø 24 m across |
| Range: | max. Ø 8 m towards max. Ø 6.4 m seated |
| Monitored area (tangential movement): | 450 m ² / 2.5 m mounting height |
| Mounting height min./max./recommended: | 2 m / 10 m / 2.5 m |
| Degree / class of protection: | IP20 / Class III |
| Impact strength: | IK04 |
| Temperature measurement range: | -5 °C to +45 °C |
| Ambient temperature: | -25 °C to +55 °C |
| Housing: | polycarbonate, UV-resistant |
| Number of light sensors: | 2 |
| Material color: | anthracite mat, similar to RAL7016 (93731) |
| Number of PIR sensors: | 4 |
| KNX TP 256: | Yes |
| Orientation light: | 5 - 100 % / OFF / 1 min - 255 min |
| Night light: | 5 - 100 % |
| Brightness set value: | 5 - 2000 Lux |

Product information

Set : PD4N-KNXs-DX-FC + lens PD4N, Cover ring anthracite mat, similar to RAL7016

KNX occupancy detector with integrated KNX bus connector

KNX Secure ready

HCL/RGB control

Parameterisation from ETS 5 for integration into KNX systems

Individual adaption of detection sensitivity for each PIR sensor

PIR sensors can be deactivated individually

Direction of movement can be identified

Mixed light measurement using internal, external and remote (optional) light sensors

Intelligent semi-automatic mode, occupancy-independent regulating mode (photoelectric switch), full automatic mode

1 x Light (for regulating or switching), 1 x slave output, 3 separate HVAC-blocs

Regulation of up to three lighting groups using offset (external influence possible)

Short presence, self-adjusting follow-up time, corridor function

Various locking functions

Soft-start

Two logic modules

Recall of light scenes

Deactivatable status indicators

Temperature- and noise sensor

The product database for import into the ETS database can be downloaded from the B.E.G. homepage.

Detection area can be extended thanks to master-slave-mode

Extensive optimization options for light measurement

Measured light value is communicated to the bus

Adaption of dimming curve

Bidirectionally remote control-capable with the IR adapter and the B.E.G. smartphone app

PIN code

IR remote control-capable via IR remote control (optionally)

5 button remote control, programmable at choice (accessory)

Programming button (phys. address) can be operated via remote control

HVAC mode (0=automatic, 1=comfort, 2=stand-by,
3=economy, 4=antifreeze/heat protection)

Manual influence via external KNX push buttons possible

Function control (heartbeat, cyclical sending)

Occupancy simulation

Forced switch-off

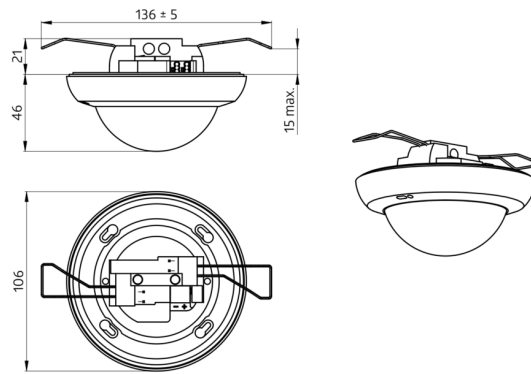
Intelligent central-off function

Premonition of switch-off

Burn-in function for fluorescent lamps selectable from 1h till
100h

Behaviour upon bus voltage return definable at choice

Variable safety pause after switching off the lights



Set items

To receive the bundle according to the technical specification, please order the items listed.



PD4N-KNXs-DX-FC

Art.No: 93516

Voltage: via KNX BUS

Dimensions: Ø 106 x 68 mm

Typ. power input: 12 mA



lens PD4N, Cover ring

Art.No: 93731

Detection area: horizontal 360° (Ceiling mounting)

Range: max. Ø 24 m across

max. Ø 8 m towards

max. Ø 6.4 m seated

Monitored area (tangential movement): 450 m² / 2.5 m mounting height