



PD4N-DALI-SYS Set 93340-93752-93732

- Voltage: via DALI Bus, max. 22.5 V DC
- Dimensions: **Ø 106 x 68 mm + Ø 109 x 19 mm (93752)**
- Settings: B.E.G. DALI-SYS ROUTER / B.E.G. DALI-SYS PC-Tools

Order data

| Designation | Colour | Art.No |
|--|---------------|--------|
| PD4N-DALI-SYS | white | 93340 |
| SM socle mounting set IP54 PD2N- / PD4N-FM | traffic white | 93752 |
| lens PD4N, Cover ring | traffic white | 93732 |

Technical data

| | |
|---|--|
| Voltage: | via DALI Bus, max. 22.5 V DC |
| Dimensions: | Ø 106 x 68 mm + Ø 109 x 19 mm (93752) |
| Settings: | B.E.G. DALI-SYS ROUTER / B.E.G. DALI-SYS PC- Tools |
| Typ. power input: | 7 mA |
| Detection area: | horizontal 360° (Ceiling mounting) max. Ø 24 m across max. Ø 8 m towards max. Ø 6.4 m seated |
| Range: | 450 m ² / 2.5 m mounting height |
| Monitored area (tangential movement): | 2 m / 10 m / 2.5 m |
| Mounting height min./max./recommended: | IP20 / Class II + IP54 (93752) |
| Degree / class of protection: | IK04 |
| Impact strength: | -25 °C to +55 °C |
| Ambient temperature: | polycarbonate, UV-resistant |
| Housing: | traffic white mat, similar to RAL9016 (93732) |
| Material color: | 1 sec - 120 min |
| Follow-up time: | 5 - 100 % / 1 min - 120 min / ∞ |
| Orientation light: | 10 - 2500 Lux |
| Brightness set value: | Mixed light measuring |
| Light measuring: | |

Product information

Set : PD4N-DALI-SYS + SM socle mounting set IP54
PD2N- / PD4N-FM traffic white mat, similar to
RAL9016 + lens PD4N, Cover ring traffic white mat,
similar to RAL9016

Wide motion detection range DALI multisensor

Powered via DALI bus

Seamless integration in B.E.G. LUXOMAT®net DALI-SYS

Bright LED indication for commissioning

Detection area can be extended thanks to master-slave-mode

Mixed light measurement with internal and external light
sensor

Semi-automatic, full-automatic or twilight switch mode

Integrated daylight harvesting circuit (or switch output)

Guided Light, Soft-Start PLUS, Orientation light PLUS

Works out-of-the box for easy installation check

Full range of functions can only be activated with other
products of the product group B.E.G. LUXOMAT®net DALI-SYS

Suitable for mounting in false ceilings and flush-mounting

Accessory for surface mounting available

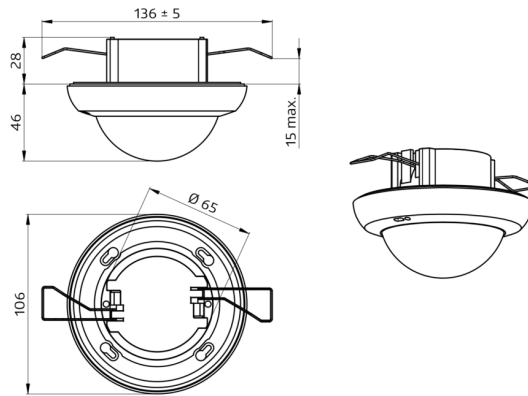
This article is a component of a lighting control system from
B.E.G., which supports the use of DALI control gear
(luminaires, relays) from other manufacturers

The use of DALI application controllers from other
manufacturers is not supported

The use of DALI input devices (sensors, push-buttons) from
other manufacturers is not supported

Additional system components (hardware) from B.E.G. are
required

Additional services (planning, commissioning and
maintenance) from B.E.G. are required



Set items

To receive the bundle according to the technical specification, please order the items listed.



PD4N-DALI-SYS

Art.No: 93340

Voltage: via DALI Bus, max. 22.5 V DC
Dimensions: Ø 106 x 68 mm
Settings: B.E.G. DALI-SYS ROUTER /
B.E.G. DALI-SYS PC-Tools



SM socle mounting set IP54 PD2N- / PD4N-FM

Art.No: 93752

Dimensions: Ø 109 x 19 mm
Degree / class of protection: IP54
Housing: polycarbonate, UV-
resistant



lens PD4N, Cover ring

Art.No: 93732

Detection area: horizontal 360° (Ceiling
mounting)
Range: max. Ø 24 m across
max. Ø 8 m towards
max. Ø 6.4 m seated
Monitored area (tangential movement):
450 m² / 2.5 m mounting height