

B.E.G.**LUXOMAT[®]net**

PD4N-DALI-SYS Set 93340-93751-93741

- Voltage: via DALI Bus, max. 22.5 V DC
- Dimensions: **Ø 106 x 68 mm + Ø 109 x 19 mm (93751)**
- Settings: B.E.G. DALI-SYS ROUTER / B.E.G. DALI-SYS PC-Tools

Order data

Designation	Colour	Art.No
PD4N-DALI-SYS	white	93340
SM socle mounting set IP54 PD2N- / PD4N-FM	anthracite	93751
Corridor lens PD4N type A, Cover ring	anthracite	93741

Technical data

Voltage:	via DALI Bus, max. 22.5 V DC
Dimensions:	Ø 106 x 68 mm + Ø 109 x 19 mm (93751)
Settings:	B.E.G. DALI-SYS ROUTER / B.E.G. DALI-SYS PC- Tools
Typ. power input:	7 mA
Detection area:	horizontal 360° (Ceiling mounting) (93741) max. Ø 40 m across max. Ø 20 m towards (93741)
Range:	250 m² / 2.5 m mounting height (93741)
Monitored area (tangential movement):	2.4 m / 2.6 m / 2.5 m (93741)
Mounting height min./max./recommended:	IP20 / Class II + IP54 (93751)
Degree / class of protection:	IK04
Impact strength:	-25 °C to +55 °C
Ambient temperature:	polycarbonate, UV-resistant
Housing:	anthracite mat, similar to RAL7016 (93741)
Material color:	1 sec - 120 min
Follow-up time:	5 - 100 % / 1 min - 120 min / ∞
Orientation light:	10 - 2500 Lux
Brightness set value:	Mixed light measuring
Light measuring:	

Product information

Set : PD4N-DALI-SYS + SM socle mounting set IP54 PD2N- / PD4N-FM anthracite mat, similar to RAL7016 + Corridor lens PD4N type A, Cover ring anthracite mat, similar to RAL7016

Wide motion detection range DALI multisensor

Powered via DALI bus

Seamless integration in B.E.G. LUXOMAT®net DALI-SYS

Bright LED indication for commissioning

Detection area can be extended thanks to master-slave-mode

Mixed light measurement with internal and external light sensor

Semi-automatic, full-automatic or twilight switch mode

Integrated daylight harvesting circuit (or switch output)

Guided Light, Soft-Start PLUS, Orientation light PLUS

Works out-of-the box for easy installation check

Full range of functions can only be activated with other products of the product group B.E.G. LUXOMAT®net DALI-SYS

Suitable for mounting in false ceilings and flush-mounting

Accessory for surface mounting available

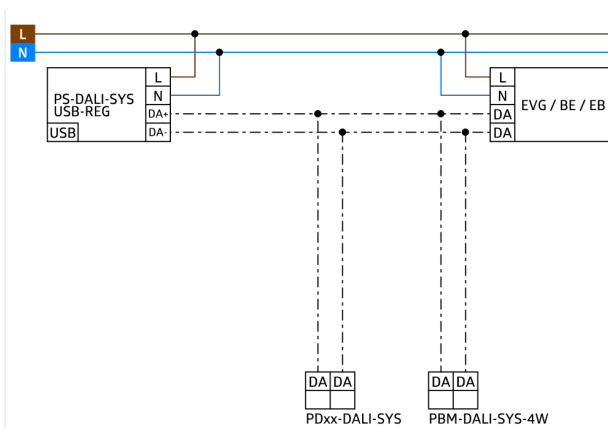
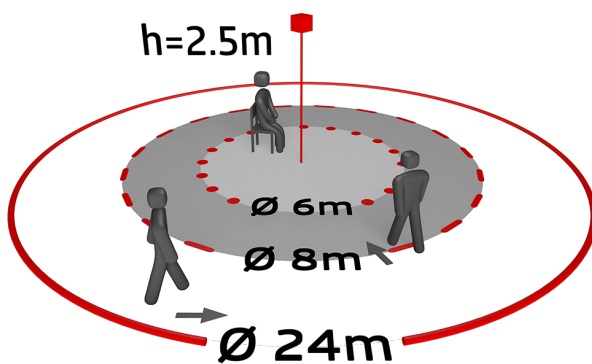
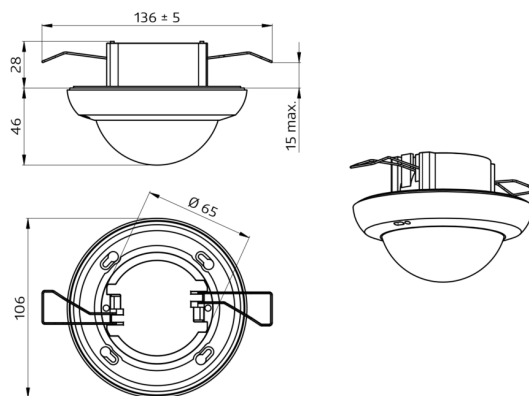
This article is a component of a lighting control system from B.E.G., which supports the use of DALI control gear (luminaires, relays) from other manufacturers

The use of DALI application controllers from other manufacturers is not supported

The use of DALI input devices (sensors, push-buttons) from other manufacturers is not supported

Additional system components (hardware) from B.E.G. are required

Additional services (planning, commissioning and maintenance) from B.E.G. are required



Set items

To receive the bundle according to the technical specification, please order the items listed.



PD4N-DALI-SYS

Art.No: 93340

Voltage: via DALI Bus, max. 22.5 V DC
Dimensions: Ø 106 x 68 mm
Settings: B.E.G. DALI-SYS ROUTER /
B.E.G. DALI-SYS PC-Tools



SM socle mounting set IP54 PD2N- / PD4N-FM

Art.No: 93751

Dimensions: Ø 109 x 19 mm
Degree / class of protection: IP54
Housing: polycarbonate, UV-
resistant



Corridor lens PD4N type A, Cover ring

Art.No: 93741

Detection area: horizontal 360° (Ceiling
mounting)
Range: max. Ø 40 m across
max. Ø 20 m towards
Monitored area (tangential movement):
250 m² / 2.5 m mounting height