

B.E.G.**LUXOMAT[®]net**

PD4N-DALI-SYS Set 93340-93751-93731-92 199

- Voltage: via DALI Bus, max. 22.5 V DC
- Dimensions: **Ø 200 x 90 mm (92199)**
- Settings: B.E.G. DALI-SYS ROUTER / B.E.G. DALI-SYS PC-Tools

Order data

Designation	Colour	Art.No
PD4N-DALI-SYS	white	93340
SM socle mounting set IP54 PD2N- / PD4N-FM	anthracite	93751
lens PD4N, Cover ring	anthracite	93731
Wire basket BSK (Ø 200 x 90 mm)	white	92199

Technical data

Voltage:	via DALI Bus, max. 22.5 V DC
Dimensions:	Ø 200 x 90 mm (92199)
Settings:	B.E.G. DALI-SYS ROUTER / B.E.G. DALI-SYS PC- Tools
Typ. power input:	7 mA
Detection area:	horizontal 360° (Ceiling mounting) max. Ø 24 m across max. Ø 8 m towards max. Ø 6.4 m seated
Range:	
Monitored area (tangential movement):	450 m ² / 2.5 m mounting height
Mounting height min./max./recommended:	2 m / 10 m / 2.5 m
Degree / class of protection:	IP20 / Class II + IP54 (93751)
Impact strength:	IK09 (92199)
Ambient temperature:	-25 °C to +55 °C
Housing:	polycarbonate, UV-resistant + coated steel basket (92199) anthracite mat, similar to RAL7016 (93731)
Material color:	
Follow-up time:	1 sec - 120 min 5 - 100 % / 1 min - 120 min / ∞
Orientation light:	
Brightness set value:	10 - 2500 Lux
Light measuring:	Mixed light measuring

Product information

Set : PD4N-DALI-SYS + SM socle mounting set IP54
PD2N- / PD4N-FM anthracite mat, similar to RAL7016
+ lens PD4N, Cover ring anthracite mat, similar to
RAL7016 + Wire basket BSK (Ø 200 x 90 mm) white

Wide motion detection range DALI multisensor

Powered via DALI bus

Seamless integration in B.E.G. LUXOMAT®net DALI-SYS

Bright LED indication for commissioning

Detection area can be extended thanks to master-slave-mode

Mixed light measurement with internal and external light
sensor

Semi-automatic, full-automatic or twilight switch mode

Integrated daylight harvesting circuit (or switch output)

Guided Light, Soft-Start PLUS, Orientation light PLUS

Works out-of-the box for easy installation check

Full range of functions can only be activated with other
products of the product group B.E.G. LUXOMAT®net DALI-SYS

Suitable for mounting in false ceilings and flush-mounting

Accessory for surface mounting available

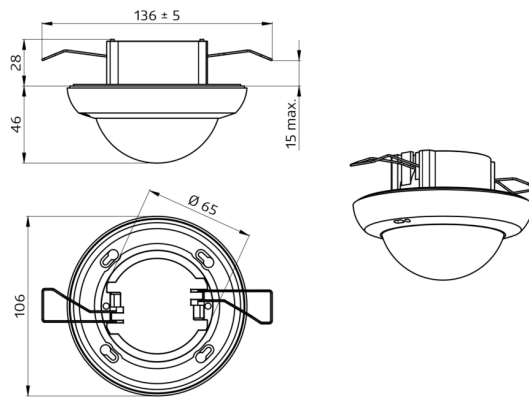
This article is a component of a lighting control system from
B.E.G., which supports the use of DALI control gear
(luminaires, relays) from other manufacturers

The use of DALI application controllers from other
manufacturers is not supported

The use of DALI input devices (sensors, push-buttons) from
other manufacturers is not supported

Additional system components (hardware) from B.E.G. are
required

Additional services (planning, commissioning and
maintenance) from B.E.G. are required



Set items

To receive the bundle according to the technical specification, please order the items listed.



PD4N-DALI-SYS

Art.No: 93340

Voltage: via DALI Bus, max. 22.5 V DC
Dimensions: Ø 106 x 68 mm
Settings: B.E.G. DALI-SYS ROUTER / B.E.G. DALI-SYS PC-Tools



SM socle mounting set IP54 PD2N- / PD4N-FM

Art.No: 93751

Dimensions: Ø 109 x 19 mm
Degree / class of protection: IP54
Housing: polycarbonate, UV-resistant



lens PD4N, Cover ring

Art.No: 93731

Detection area: horizontal 360°
(Ceiling mounting)
Range: max. Ø 24 m across
max. Ø 8 m towards
max. Ø 6.4 m seated
Monitored area (tangential
movement): 450 m² / 2.5 m mounting
height



Wire basket BSK (Ø 200 x 90 mm)

Art.No: 92199

Dimensions: Ø 200 x 90 mm
Impact strength: IK09
Housing: coated steel basket