



## PD4N-DALI-SYS Set 93340-93751-93731

- Voltage: via DALI Bus, max. 22.5 V DC
- Dimensions: **Ø 106 x 68 mm + Ø 109 x 19 mm (93751)**
- Settings: B.E.G. DALI-SYS ROUTER / B.E.G. DALI-SYS PC-Tools

### Order data

Designation	Colour	Art.No
PD4N-DALI-SYS	white	93340
SM socle mounting set IP54 PD2N- / PD4N-FM	anthracite	93751
lens PD4N, Cover ring	anthracite	93731

## Technical data

Voltage:	via DALI Bus, max. 22.5 V DC
Dimensions:	<b>Ø 106 x 68 mm + Ø 109 x 19 mm (93751)</b>
Settings:	B.E.G. DALI-SYS ROUTER / B.E.G. DALI-SYS PC- Tools
Typ. power input:	7 mA
Detection area:	horizontal 360° (Ceiling mounting) max. Ø 24 m across max. Ø 8 m towards max. Ø 6.4 m seated
Range:	450 m <sup>2</sup> / 2.5 m mounting height
Monitored area (tangential movement):	2 m / 10 m / 2.5 m
Mounting height min./max./recommended:	<b>IP20 / Class II + IP54 (93751)</b>
Degree / class of protection:	IK04
Impact strength:	-25 °C to +55 °C
Ambient temperature:	polycarbonate, UV-resistant
Housing:	<b>anthracite mat, similar to RAL7016 (93731)</b>
Material color:	1 sec - 120 min
Follow-up time:	5 - 100 % / 1 min - 120 min / ∞
Orientation light:	10 - 2500 Lux
Brightness set value:	Mixed light measuring
Light measuring:	

## Product information

Set : PD4N-DALI-SYS + SM socle mounting set IP54  
PD2N- / PD4N-FM anthracite mat, similar to RAL7016  
+ lens PD4N, Cover ring anthracite mat, similar to  
RAL7016

Wide motion detection range DALI multisensor

Powered via DALI bus

Seamless integration in B.E.G. LUXOMAT®net DALI-SYS

Bright LED indication for commissioning

Detection area can be extended thanks to master-slave-mode

Mixed light measurement with internal and external light  
sensor

Semi-automatic, full-automatic or twilight switch mode

Integrated daylight harvesting circuit (or switch output)

Guided Light, Soft-Start PLUS, Orientation light PLUS

Works out-of-the box for easy installation check

Full range of functions can only be activated with other  
products of the product group B.E.G. LUXOMAT®net DALI-SYS

Suitable for mounting in false ceilings and flush-mounting

Accessory for surface mounting available

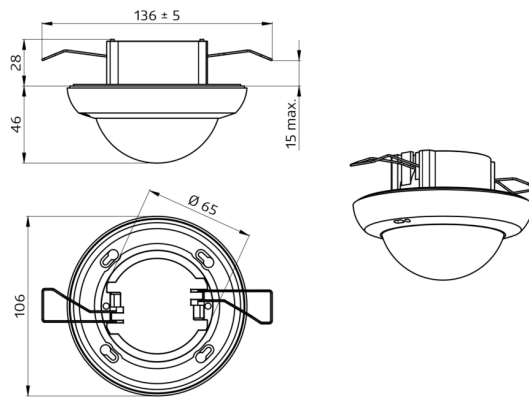
This article is a component of a lighting control system from  
B.E.G., which supports the use of DALI control gear  
(luminaires, relays) from other manufacturers

The use of DALI application controllers from other  
manufacturers is not supported

The use of DALI input devices (sensors, push-buttons) from  
other manufacturers is not supported

Additional system components (hardware) from B.E.G. are  
required

Additional services (planning, commissioning and  
maintenance) from B.E.G. are required



## Set items

To receive the bundle according to the technical specification, please order the items listed.



### PD4N-DALI-SYS

Art.No: 93340

Voltage: via DALI Bus, max. 22.5 V DC  
Dimensions: Ø 106 x 68 mm  
Settings: B.E.G. DALI-SYS ROUTER /  
B.E.G. DALI-SYS PC-Tools



### SM socle mounting set IP54 PD2N- / PD4N-FM

Art.No: 93751

Dimensions: Ø 109 x 19 mm  
Degree / class of protection: IP54  
Housing: polycarbonate, UV-  
resistant



### lens PD4N, Cover ring

Art.No: 93731

Detection area: horizontal 360° (Ceiling  
mounting)  
Range: max. Ø 24 m across  
max. Ø 8 m towards  
max. Ø 6.4 m seated  
Monitored area (tangential movement):  
450 m<sup>2</sup> / 2.5 m mounting height