

**B.E.G.****LUXOMAT<sup>®</sup> net**

## PD4N-DALI-SYS Set 93340-93314-92199

- Voltage: via DALI Bus, max. 22.5 V DC
- Dimensions: **Ø 200 x 90 mm (92199)**
- Settings: B.E.G. DALI-SYS ROUTER / B.E.G. DALI-SYS PC-Tools

### Order data

| Designation                     | Colour | Art.No |
|---------------------------------|--------|--------|
| PD4N-DALI-SYS                   | white  | 93340  |
| SM socle mounting set IP65 PD4N | white  | 93314  |
| Wire basket BSK (Ø 200 x 90 mm) | white  | 92199  |

## Technical data

|   |  |
|---|--|
| Voltage:                                  | via DALI Bus,<br>max. 22.5 V DC  |
| Dimensions:                               | <b>Ø 200 x 90 mm<br/>(92199)</b>   |
| Settings:                                 | B.E.G. DALI-SYS<br>ROUTER / B.E.G.<br>DALI-SYS PC-<br>Tools  |
| Typ. power input:                         | 7 mA   |
| Detection area:                           | horizontal 360°<br>(Ceiling<br>mounting)<br>max. Ø 24 m<br>across<br>max. Ø 8 m<br>towards<br>max. Ø 6.4 m<br>seated |
| Range:                                    |  |
| Monitored area<br>(tangential movement):  | 450 m <sup>2</sup> / 2.5 m<br>mounting height  |
| Mounting height<br>min./max./recommended: | 2 m / 10 m / 2.5<br>m  |
| Degree / class of<br>protection:          | <b>IP20 / Class II<br/>+ IP65 (93314)</b>  |
| Impact strength:                          | <b>IK09 (92199)</b>  |
| Ambient temperature:                      | -25 °C to +55 °C   |
| Housing:                                  | <b>polycarbonate,<br/>UV-resistant +<br/>coated steel<br/>basket (92199)</b>   |
| Material color:                           | <b>white (93314)</b>   |
| Follow-up time:                           | 1 sec - 120 min<br>5 - 100 % / 1<br>min - 120 min /<br>∞   |
| Orientation light:                        |  |
| Brightness set value:                     | 10 - 2500 Lux  |
| Light measuring:                          | Mixed light<br>measuring   |

## Product information

Set : PD4N-DALI-SYS + SM socle mounting set IP65  
PD4N white + Wire basket BSK (Ø 200 x 90 mm)  
white

Wide motion detection range DALI multisensor

Powered via DALI bus

Seamless integration in B.E.G. LUXOMAT® net DALI-SYS

Bright LED indication for commissioning

Detection area can be extended thanks to master-slave-mode

Mixed light measurement with internal and external light  
sensor

Semi-automatic, full-automatic or twilight switch mode

Integrated daylight harvesting circuit (or switch output)

Guided Light, Soft-Start PLUS, Orientation light PLUS

Works out-of-the box for easy installation check

Full range of functions can only be activated with other  
products of the product group B.E.G. LUXOMAT® net DALI-SYS

Suitable for mounting in false ceilings and flush-mounting

Accessory for surface mounting available

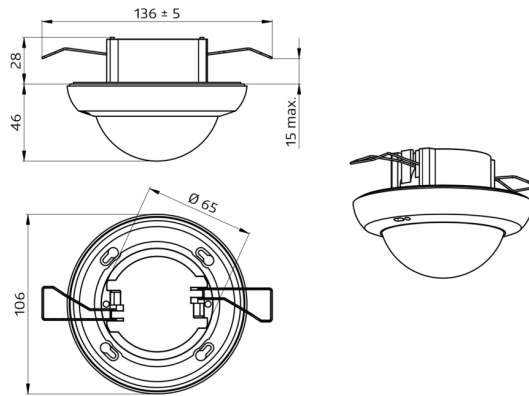
This article is a component of a lighting control system from  
B.E.G., which supports the use of DALI control gear  
(luminaires, relays) from other manufacturers

The use of DALI application controllers from other  
manufacturers is not supported

The use of DALI input devices (sensors, push-buttons) from  
other manufacturers is not supported

Additional system components (hardware) from B.E.G. are  
required

Additional services (planning, commissioning and  
maintenance) from B.E.G. are required



## Set items

To receive the bundle according to the technical specification, please order the items listed.



### **PD4N-DALI-SYS**

Art.No: 93340

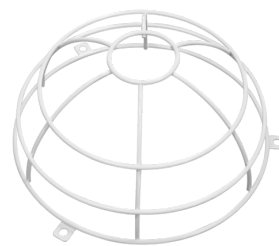
Voltage: via DALI Bus, max. 22.5 V DC  
Dimensions: Ø 106 x 68 mm  
Settings: B.E.G. DALI-SYS ROUTER / B.E.G.  
DALI-SYS PC-Tools



### **SM socle mounting set IP65 PD4N**

Art.No: 93314

Dimensions: 133 x 133 x 69 mm  
Degree / class of protection: IP65  
Material color: white



### **Wire basket BSK (Ø 200 x 90 mm)**

Art.No: 92199

Dimensions: Ø 200 x 90 mm  
Impact strength: IK09  
Housing: coated steel basket