

B.E.G.**LUXOMAT[®]net**

PD4N-DALI-SYS

Prod.No. 93340 EAN: 4007529933402

- Voltage: via DALI Bus, max. 22.5 V DC
- Dimensions: Ø 106 x 68 mm
- Settings: B.E.G. DALI-SYS ROUTER / B.E.G. DALI-SYS PC-Tools

Order data

Designation	Colour	Art.No
PD4N-DALI-SYS	white	93340

Accessories

Designation	Colour	Art.No
IR-PD-DALI-Mini	-	92112
SM socle mounting set IP54 PD2N- / PD4N-FM	black	93753
SM socle mounting set IP54 PD2N- / PD4N-FM	traffic white	93752
SM socle mounting set IP54 PD2N- / PD4N-FM	anthracite	93751
SM socle mounting set IP54 PD2N- / PD4N-FM	white	93307
SM socle mounting set IP65 PD4N	white	93314
Corridor lens PD4N type A	white	93073
Corridor lens PD4N type A, Cover ring	traffic white	93742
Corridor lens PD4N type A, Cover ring	anthracite	93741

Corridor lens PD4N type A, Cover ring	black	93743
lens PD4N, Cover ring	anthracite	93731
lens PD4N, Cover ring	black	93733
lens PD4N, Cover ring	traffic white	93732
Wire basket BSK (Ø 200 x 90 mm)	white	92199
Wall holder PD2N/4N Typ A	white	93164

Technical data

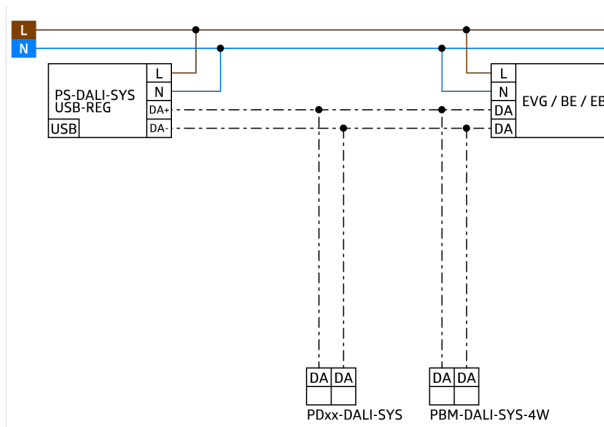
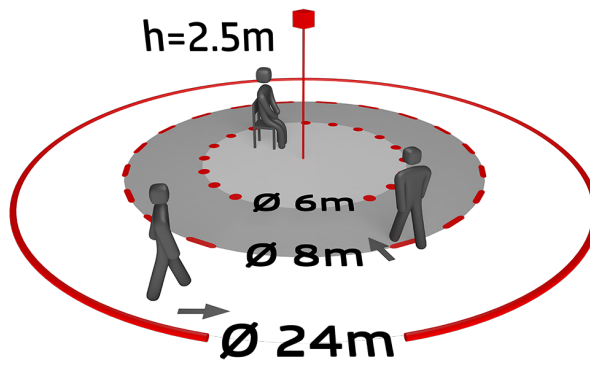
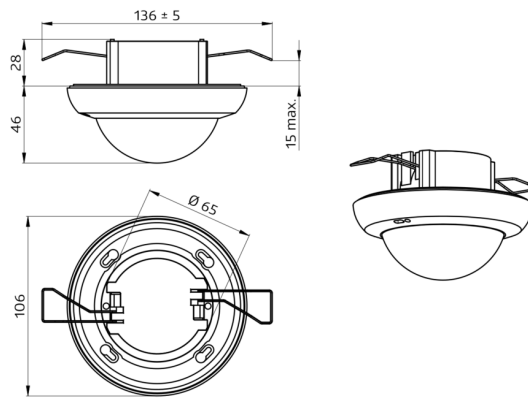
Voltage:	via DALI Bus, max. 22.5 V DC
Dimensions:	Ø 106 x 68 mm
Settings:	B.E.G. DALI-SYS ROUTER / B.E.G. DALI-SYS PC-Tools
Typ. power input:	7 mA
Detection area:	horizontal 360° (Ceiling mounting) max. Ø 24 m across max. Ø 8 m towards max. Ø 6.4 m seated
Range:	
Monitored area (tangential movement):	450 m ² / 2.5 m mounting height
Mounting height min./max./recommended:	2 m / 10 m / 2.5 m
Degree / class of protection:	IP20 / Class II
Impact strength:	IK04
Ambient temperature:	-25 °C to +55 °C
Housing:	polycarbonate, UV-resistant
Material color:	white mat, similar to RAL9010
Follow-up time:	1 sec - 120 min 5 - 100 % / 1 min - 120 min / ∞
Orientation light:	
Brightness set value:	10 - 2500 Lux
Light measuring:	Mixed light measuring

Product information

Wide motion detection range DALI multisensor
Powered via DALI bus
Seamless integration in B.E.G. LUXOMAT®net DALI-SYS
Bright LED indication for commissioning
Detection area can be extended thanks to master-slave-mode
Mixed light measurement with internal and external light sensor
Semi-automatic, full-automatic or twilight switch mode
Integrated daylight harvesting circuit (or switch output)
Guided Light, Soft-Start PLUS, Orientation light PLUS
Works out-of-the box for easy installation check
Full range of functions can only be activated with other products of the product group B.E.G. LUXOMAT®net DALI-SYS
Suitable for mounting in false ceilings and flush-mounting
Accessory for surface mounting available
This article is a component of a lighting control system from B.E.G., which supports the use of DALI control gear (luminaires, relays) from other manufacturers
The use of DALI application controllers from other manufacturers is not supported
The use of DALI input devices (sensors, push-buttons) from other manufacturers is not supported
Additional system components (hardware) from B.E.G. are required
Additional services (planning, commissioning and maintenance) from B.E.G. are required

Application examples:

staircases, small offices, open-plan offices, conference rooms, classrooms/seminar rooms, sports halls/ storage rooms



Accessories



IR-PD-DALI-Mini

Art.No: 92112

Battery: 3.0 V Lithium CR2032 (inclusive)
Dimensions: 57 x 35 x 7 mm
Material color: -



SM socle mounting set IP54 PD2N- / PD4N-FM

Art.No: 93753

Dimensions: Ø 109 x 19 mm
Degree / class of protection: IP54
Housing: polycarbonate, UV-resistant



SM socle mounting set IP54 PD2N- / PD4N-FM

Art.No: 93752

Dimensions: Ø 109 x 19 mm
Degree / class of protection: IP54
Housing: polycarbonate, UV-resistant



SM socle mounting set IP54 PD2N- / PD4N-FM

Art.No: 93751

Dimensions: Ø 109 x 19 mm
Degree / class of protection: IP54
Housing: polycarbonate, UV-resistant



SM socle mounting set IP54 PD2N- / PD4N-FM

Art.No: 93307

Dimensions: Ø 109 x 19 mm
Degree / class of protection: IP54
Material color: white, similar to RAL9010



SM socle mounting set IP65 PD4N

Art.No: 93314

Dimensions: 133 x 133 x 69 mm
Degree / class of protection: IP65
Material color: white



Corridor lens PD4N type A

Art.No: 93073

Detection area: horizontal 360° (Ceiling mounting)
Range: max. Ø 40 m across
max. Ø 20 m towards
Monitored area (tangential movement): 250 m² / 2.5 m mounting height



Corridor lens PD4N type A, Cover ring

Art.No: 93742

Detection area: horizontal 360° (Ceiling mounting)
Range: max. Ø 40 m across
max. Ø 20 m towards
Monitored area (tangential movement): 250 m² / 2.5 m mounting height



Corridor lens PD4N type A, Cover ring

Art.No: 93741

Detection area: horizontal 360° (Ceiling mounting)
Range: max. Ø 40 m across
max. Ø 20 m towards
Monitored area (tangential movement): 250 m² / 2.5 m mounting height



Corridor lens PD4N type A, Cover ring

Art.No: 93743

Detection area: horizontal 360° (Ceiling mounting)
Range: max. Ø 40 m across
max. Ø 20 m towards
Monitored area (tangential movement): 250 m² / 2.5 m mounting height



lens PD4N, Cover ring

Art.No: 93731

Detection area: horizontal 360° (Ceiling mounting)
Range: max. Ø 24 m across
max. Ø 8 m towards
max. Ø 6.4 m seated
Monitored area (tangential movement): 450 m² / 2.5 m mounting height



lens PD4N, Cover ring

Art.No: 93733

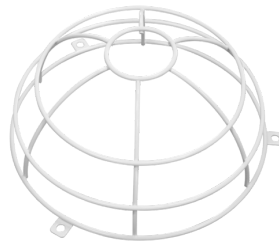
Detection area: horizontal 360° (Ceiling mounting)
Range: max. Ø 24 m across
max. Ø 8 m towards
max. Ø 6.4 m seated
Monitored area (tangential movement): 450 m² / 2.5 m mounting height



lens PD4N, Cover ring

Art.No: 93732

Detection area: horizontal 360° (Ceiling mounting)
Range: max. Ø 24 m across
max. Ø 8 m towards
max. Ø 6.4 m seated
Monitored area (tangential movement): 450 m² / 2.5 m mounting height



Wire basket BSK (Ø 200 x 90 mm)

Art.No: 92199

Dimensions: Ø 200 x 90 mm
Impact strength: IK09
Housing: coated steel basket



Wall holder PD2N/4N Typ A

Art.No: 93164

Dimensions: 133 x 106 x 66 mm
Degree / class of protection: IP54
Housing: polycarbonate, UV-resistant