



## PD4N-DALI-LINK Set 93377-93733

- Voltage: via DALI Bus, max. 22.5 V DC
- Dimensions: Ø 106 x 68 mm
- Settings: PBM-DALI-LINK-4W-BLE + Smartphone with DALI-LINK App (iOS / Android)

### Order data

Designation	Colour	Art.No
PD4N-DALI-LINK	white	93377
lens PD4N, Cover ring	black	93733

## Technical data

Voltage:	via DALI Bus, max. 22.5 V DC
Dimensions:	Ø 106 x 68 mm
Settings:	PBM-DALI-LINK-4W-BLE + Smartphone with DALI-LINK App (iOS / Android)
Typ. power input:	7 mA
Detection area:	horizontal 360° (Ceiling mounting)
Range:	max. Ø 24 m across max. Ø 8 m towards max. Ø 6.4 m seated
Monitored area (tangential movement):	450 m <sup>2</sup> / 2.5 m mounting height
Mounting height min./max./recommended:	2 m / 10 m / 2.5 m
Degree / class of protection:	IP20 / Class II
Impact strength:	IK04
Ambient temperature:	-25 °C to +55 °C
Housing:	polycarbonate, UV- resistant
Material color:	<b>black mat, similar to RAL9005 (93733)</b>
Follow-up time:	1 sec - 120 min
Orientation light:	5 - 100 % / 1 min - 120 min / ∞
Brightness set value:	10 - 2500 Lux

## Product information

Set : PD4N-DALI-LINK + lens PD4N, Cover ring black mat, similar to RAL9005

Wide motion detection range DALI multisensor

Powered via DALI bus

Seamless integration in DALI lighting control system B.E.G. LUXOMAT®net DALI-LINK as modular multimaster option

Detection area can be extended thanks to master-slave-mode

Mixed light measurement with internal and external light sensor

Semi-automatic, full-automatic or twilight switch mode

Integrated daylight harvesting circuit (or switch output)

Guided Light, Soft-Start PLUS, Orientation light PLUS

Works out-of-the box for easy installation check

Full range of functions can only be activated with other products of the product group B.E.G. LUXOMAT®net DALI-LINK

Detection area can be restricted with blinds

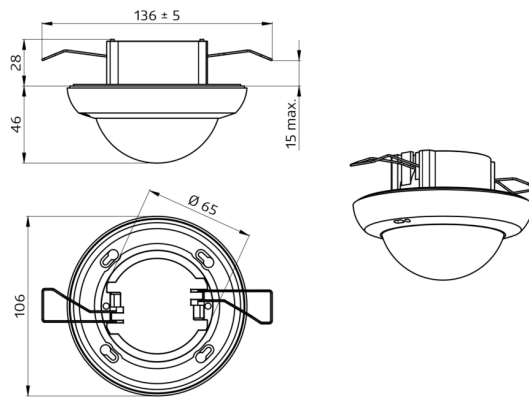
This article is a component of a lighting control system from B.E.G., which supports the use of DALI control gear (luminaires, relays) from other manufacturers

The use of DALI application controllers from other manufacturers is not supported

The use of DALI input devices (sensors, push-buttons) from other manufacturers is not supported

Additional system components (hardware) from B.E.G. are required

Additional free software from B.E.G. is required



## Set items

To receive the bundle according to the technical specification, please order the items listed.



### **PD4N-DALI-LINK**

Art.No: 93377

Voltage: via DALI Bus, max. 22.5 V DC

Dimensions: Ø 106 x 68 mm

Settings: PBM-DALI-LINK-4W-BLE + Smartphone with DALI-LINK App (iOS / Android)



### **lens PD4N, Cover ring**

Art.No: 93733

Detection area: horizontal 360° (Ceiling mounting)

Range: max. Ø 24 m across

max. Ø 8 m towards

max. Ø 6.4 m seated

Monitored area (tangential movement): 450 m<sup>2</sup> / 2.5 m mounting height