

**B.E.G.****LUXOMAT<sup>®</sup>net**

## PD4N-DALI-LINK

Prod.No. 93377 EAN: 4007529933778

- Voltage: via DALI Bus, max. 22.5 V DC
- Dimensions: Ø 106 x 68 mm
- Settings: PBM-DALI-LINK-4W-BLE + Smartphone with DALI-LINK App (iOS / Android)

### Order data

Designation	Colour	Art.No
PD4N-DALI-LINK	white	93377

### Accessories

Designation	Colour	Art.No
IR-PD-DALI-Mini	-	92112
SM socle mounting set IP54 PD2N- / PD4N-FM	white	93307
SM socle mounting set IP54 PD2N- / PD4N-FM	black	93753
SM socle mounting set IP54 PD2N- / PD4N-FM	traffic white	93752
SM socle mounting set IP54 PD2N- / PD4N-FM	anthracite	93751
SM socle mounting set IP65 PD4N	white	93314
lens PD4N, Cover ring	anthracite	93731
lens PD4N, Cover ring	black	93733
lens PD4N, Cover ring	traffic white	93732
Corridor lens PD4N type A, Cover ring	traffic white	93742

Corridor lens PD4N type A, Cover ring	anthracite	93741
Corridor lens PD4N type A, Cover ring	black	93743
Corridor lens PD4N type A	white	93073
Wire basket BSK (Ø 200 x 90 mm)	white	92199
Wall holder PD2N/4N Typ A	white	93164

## Technical data

Voltage:	via DALI Bus, max. 22.5 V DC
Dimensions:	Ø 106 x 68 mm
Settings:	PBM-DALI-LINK-4W-BLE + Smartphone with DALI-LINK App (iOS / Android)
Typ. power input:	7 mA
Detection area:	horizontal 360° (Ceiling mounting)
Range:	max. Ø 24 m across max. Ø 8 m towards max. Ø 6.4 m seated
Monitored area (tangential movement):	450 m <sup>2</sup> / 2.5 m mounting height
Mounting height min./max./recommended:	2 m / 10 m / 2.5 m
Degree / class of protection:	IP20 / Class II
Impact strength:	IK04
Ambient temperature:	-25 °C to +55 °C
Housing:	polycarbonate, UV- resistant
Material color:	white mat, similar to RAL9010
Follow-up time:	1 sec - 120 min
Orientation light:	5 - 100 % / 1 min - 120 min / ∞
Brightness set value:	10 - 2500 Lux

## Product information

Wide motion detection range DALI multisensor

Powered via DALI bus

Seamless integration in DALI lighting control system B.E.G. LUXOMAT®net DALI-LINK as modular multimaster option

Detection area can be extended thanks to master-slave-mode

Mixed light measurement with internal and external light sensor

Semi-automatic, full-automatic or twilight switch mode

Integrated daylight harvesting circuit (or switch output)

Guided Light, Soft-Start PLUS, Orientation light PLUS

Works out-of-the box for easy installation check

Full range of functions can only be activated with other products of the product group B.E.G. LUXOMAT®net DALI-LINK

Detection area can be restricted with blinds

This article is a component of a lighting control system from B.E.G., which supports the use of DALI control gear (luminaires, relays) from other manufacturers

The use of DALI application controllers from other manufacturers is not supported

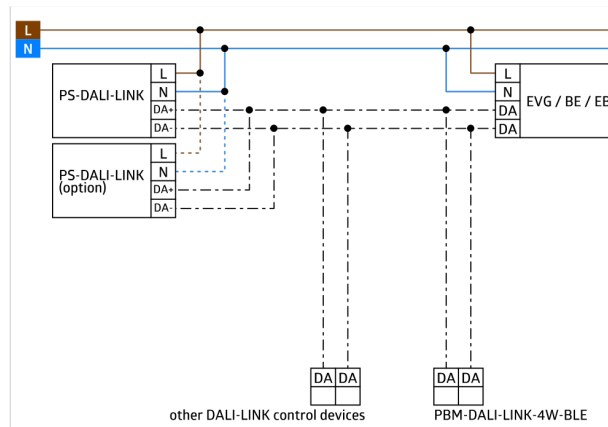
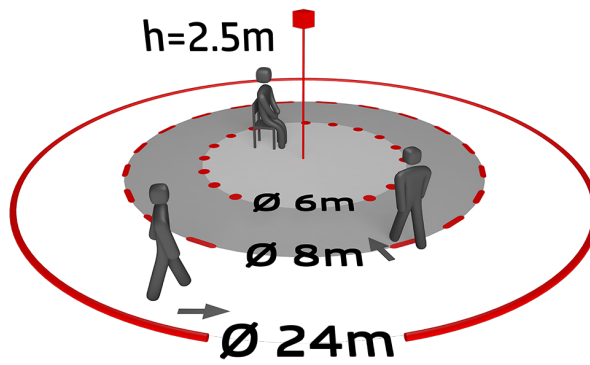
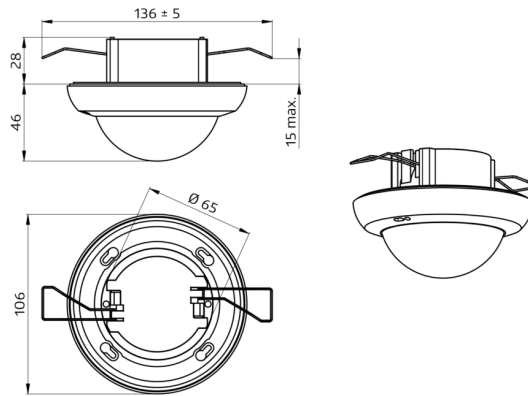
The use of DALI input devices (sensors, push-buttons) from other manufacturers is not supported

Additional system components (hardware) from B.E.G. are required

Additional free software from B.E.G. is required

### Application examples:

staircases, small offices, open-plan offices, conference rooms, classrooms/seminar rooms, sports halls/ storage rooms



## Accessories



### IR-PD-DALI-Mini

Art.No: 92112

Battery: 3.0 V Lithium CR2032 (inclusive)  
Dimensions: 57 x 35 x 7 mm  
Material color: -



### SM socle mounting set IP54 PD2N- / PD4N-FM

Art.No: 93307

Dimensions: Ø 109 x 19 mm  
Degree / class of protection: IP54  
Material color: white, similar to RAL9010



### SM socle mounting set IP54 PD2N- / PD4N-FM

Art.No: 93753

Dimensions: Ø 109 x 19 mm  
Degree / class of protection: IP54  
Housing: polycarbonate, UV-resistant



### SM socle mounting set IP54 PD2N- / PD4N-FM

Art.No: 93752

Dimensions: Ø 109 x 19 mm  
Degree / class of protection: IP54  
Housing: polycarbonate, UV-resistant



### SM socle mounting set IP54 PD2N- / PD4N-FM

Art.No: 93751

Dimensions: Ø 109 x 19 mm  
Degree / class of protection: IP54  
Housing: polycarbonate, UV-resistant



### SM socle mounting set IP65 PD4N

Art.No: 93314

Dimensions: 133 x 133 x 69 mm  
Degree / class of protection: IP65  
Material color: white



### lens PD4N, Cover ring

Art.No: 93731

Detection area: horizontal 360° (Ceiling mounting)  
Range: max. &Oslash; 24 m across<br>max. &Oslash; 8 m towards<br>max. &Oslash; 6.4 m seated  
Monitored area (tangential movement): 450 m<sup>2</sup> / 2.5 m mounting height



### lens PD4N, Cover ring

Art.No: 93733

Detection area: horizontal 360° (Ceiling mounting)  
Range: max. &Oslash; 24 m across<br>max. &Oslash; 8 m towards<br>max. &Oslash; 6.4 m seated  
Monitored area (tangential movement): 450 m<sup>2</sup> / 2.5 m mounting height



### lens PD4N, Cover ring

Art.No: 93732

Detection area: horizontal 360° (Ceiling mounting)  
Range: max. &Oslash; 24 m across<br>max. &Oslash; 8 m towards<br>max. &Oslash; 6.4 m seated  
Monitored area (tangential movement): 450 m<sup>2</sup> / 2.5 m mounting height



**Corridor lens PD4N type A, Cover ring**

Art.No: 93742

Detection area: horizontal 360° (Ceiling mounting)  
Range: max. &Oslash; 40 m across<br>max. &Oslash; 20 m towards  
Monitored area (tangential movement): 250 m<sup>2</sup> / 2.5 m mounting height



**Corridor lens PD4N type A, Cover ring**

Art.No: 93741

Detection area: horizontal 360° (Ceiling mounting)  
Range: max. &Oslash; 40 m across<br>max. &Oslash; 20 m towards  
Monitored area (tangential movement): 250 m<sup>2</sup> / 2.5 m mounting height



**Corridor lens PD4N type A, Cover ring**

Art.No: 93743

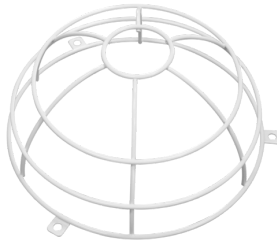
Detection area: horizontal 360° (Ceiling mounting)  
Range: max. &Oslash; 40 m across<br>max. &Oslash; 20 m towards  
Monitored area (tangential movement): 250 m<sup>2</sup> / 2.5 m mounting height



**Corridor lens PD4N type A**

Art.No: 93073

Detection area: horizontal 360° (Ceiling mounting)  
Range: max. &Oslash; 40 m across<br>max. &Oslash; 20 m towards  
Monitored area (tangential movement): 250 m<sup>2</sup> / 2.5 m mounting height



**Wire basket BSK (Ø 200 x 90 mm)**

Art.No: 92199

Dimensions: Ø 200 x 90 mm  
Impact strength: IK09  
Housing: coated steel basket



**Wall holder PD2N/4N Typ A**

Art.No: 93164

Dimensions: 133 x 106 x 66 mm  
Degree / class of protection: IP54  
Housing: polycarbonate, UV-resistant