

**B.E.G.****LUXOMAT<sup>®</sup>net**

## PD4N-BMS DALI-2 Set 93546-93752-93742-92 199

- Voltage: via DALI Bus, max. 22.5 V DC
- Dimensions: **Ø 200 x 90 mm (92199)**
- Settings: via DALI-Bus and application which supports DALI multisensors according to IEC62386, parts 101, 103, 303 and 304

### Order data

Designation	Colour	Art.No
PD4N-BMS DALI-2	white	93546
SM socle mounting set IP54 PD2N- / PD4N-FM	traffic white	93752
Corridor lens PD4N type A, Cover ring	traffic white	93742
Wire basket BSK (Ø 200 x 90 mm)	white	92199

## Technical data

Voltage:	via DALI Bus, max. 22.5 V DC
Dimensions:	<b>Ø 200 x 90 mm (92199)</b> via DALI-Bus and application which supports DALI
Settings:	multisensors according to IEC62386, parts 101, 103, 303 and 304
Typ. power input:	7 mA
Settling time:	200 ms
Detection area:	<b>horizontal 360° (Ceiling mounting) (93742)</b> <b>max. Ø 40 m across max. Ø 20 m towards (93742)</b>
Range:	<b>250 m<sup>2</sup> / 2.5 m mounting height (93742)</b>
Monitored area (tangential movement):	<b>2.4 m / 2.6 m / 2.5 m (93742)</b>
Mounting height min./max./recommended:	<b>IP20 / Class II + IP54 (93752)</b>
Degree / class of protection:	<b>IK09 (92199)</b>
Impact strength:	0 - 4095 Lux, Mixed light measuring
Measured light output:	-25 °C to +55 °C
Ambient temperature:	<b>polycarbonate, UV-resistant + coated steel basket (92199)</b>
Housing:	<b>traffic white mat, similar to RAL9016 (93742)</b>
Material color:	

## Product information

Set : PD4N-BMS DALI-2 + SM socle mounting set IP54  
PD2N- / PD4N-FM traffic white mat, similar to  
RAL9016 + Corridor lens PD4N type A, Cover ring  
traffic white mat, similar to RAL9016 + Wire basket  
BSK (Ø 200 x 90 mm) white

Long-range DALI-2 multisensor (input device)

DALI-2 certified product

Powered via DALI bus

Bright LED indication for commissioning

DALI multimaster technology according to IEC 62386 part 103

Instance 0 provides information regarding occupancy and  
movement for the DALI-Bus according to IEC 62386 part 303

Instance 1 provides LUX values for the DALI-Bus according to  
IEC 62386 part 304

Parameterisation is possible via mandatory Multimaster-  
Application-Controller of any manufacturer. This controller  
must support IEC 62386 parts 101/103/303/304.

Mixed light measurement with internal and external light  
sensor

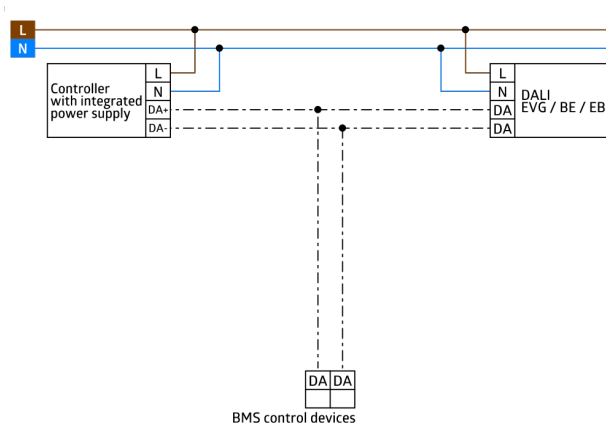
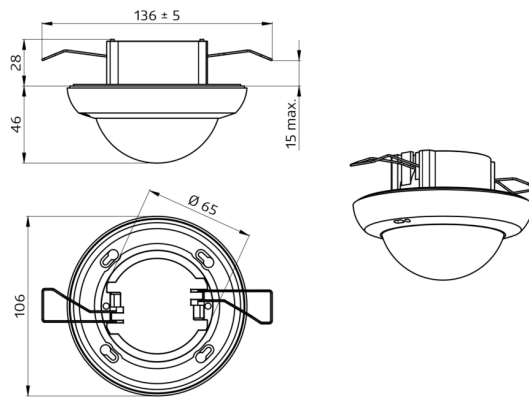
Suitable for mounting in false ceilings and flush-mounting

Accessory for surface mounting available

Detection area can be restricted with blinds

Individual adaption of detection sensitivity for each PIR sensor

Status LEDs can be activated / deactivated



## Set items

To receive the bundle according to the technical specification, please order the items listed.



### PD4N-BMS DALI-2

Art.No: 93546

Voltage: via DALI Bus, max. 22.5 V DC  
Dimensions: Ø 106 x 68 mm  
Settings: via DALI-Bus and application which supports DALI multisensors according to IEC62386, parts 101, 103, 303 and 304



### SM socle mounting set IP54 PD2N- / PD4N-FM

Art.No: 93752

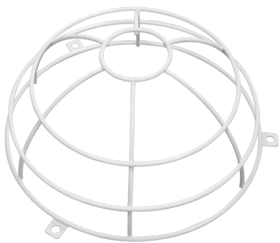
Dimensions: Ø 109 x 19 mm  
Degree / class of protection: IP54  
Housing: polycarbonate, UV-resistant



### Corridor lens PD4N type A, Cover ring

Art.No: 93742

Detection area: horizontal 360°  
(Ceiling mounting)  
Range: max. Ø 40 m across  
max. Ø 20 m towards  
Monitored area (tangential movement): 250 m<sup>2</sup> / 2.5 m mounting height



### Wire basket BSK (Ø 200 x 90 mm)

Art.No: 92199

Dimensions: Ø 200 x 90 mm  
Impact strength: IK09  
Housing: coated steel basket