

**B.E.G.****LUXOMAT®** net

## PD4N-BMS DALI-2 Set 93546-93743

- Voltage: via DALI Bus, max. 22.5 V DC
- Dimensions: Ø 106 x 68 mm
- Settings: via DALI-Bus and application which supports DALI multisensors according to IEC62386, parts 101, 103, 303 and 304

### Order data

Designation	Colour	Art.No
PD4N-BMS DALI-2	white	93546
Corridor lens PD4N type A, Cover ring	black	93743

## Technical data

Voltage:	via DALI Bus, max. 22.5 V DC
Dimensions:	Ø 106 x 68 mm via DALI-Bus and application which supports DALI
Settings:	multisensors according to IEC62386, parts 101, 103, 303 and 304
Typ. power input:	7 mA
Settling time:	200 ms
Detection area:	<b>horizontal 360° (Ceiling mounting) (93743)</b>
Range:	<b>max. Ø 40 m across max. Ø 20 m towards (93743)</b>
Monitored area (tangential movement):	<b>250 m<sup>2</sup> / 2.5 m mounting height (93743)</b>
Mounting height min./max./recommended:	<b>2.4 m / 2.6 m / 2.5 m (93743)</b>
Degree / class of protection:	IP20 / Class II
Impact strength:	IK04
Measured light output:	0 - 4095 Lux, Mixed light measuring
Ambient temperature:	-25 °C to +55 °C
Housing:	polycarbonate, UV-resistant
Material color:	<b>black mat, similar to RAL9005 (93743)</b>

## Product information

Set : PD4N-BMS DALI-2 + Corridor lens PD4N type A,  
Cover ring black mat, similar to RAL9005

Long-range DALI-2 multisensor (input device)

DALI-2 certified product

Powered via DALI bus

Bright LED indication for commissioning

DALI multimaster technology according to IEC 62386 part 103

Instance 0 provides information regarding occupancy and  
movement for the DALI-Bus according to IEC 62386 part 303

Instance 1 provides LUX values for the DALI-Bus according to  
IEC 62386 part 304

Parameterisation is possible via mandatory Multimaster-  
Application-Controller of any manufacturer. This controller  
must support IEC 62386 parts 101/103/303/304.

Mixed light measurement with internal and external light  
sensor

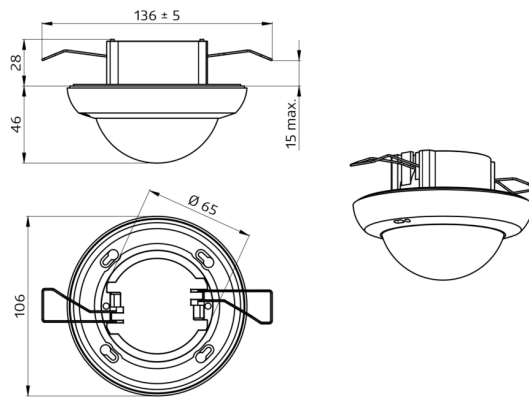
Suitable for mounting in false ceilings and flush-mounting

Accessory for surface mounting available

Detection area can be restricted with blinds

Individual adaption of detection sensitivity for each PIR sensor

Status LEDs can be activated / deactivated



## Set items

To receive the bundle according to the technical specification, please order the items listed.



### **PD4N-BMS DALI-2**

Art.No: 93546

Voltage: via DALI Bus, max. 22.5 V DC

Dimensions: Ø 106 x 68 mm

Settings: via DALI-Bus and application which supports DALI multisensors according to IEC62386, parts 101, 103, 303 and 304



### **Corridor lens PD4N type A, Cover ring**

Art.No: 93743

Detection area: horizontal 360° (Ceiling mounting)

Range: max. Ø 40 m across

max. Ø 20 m towards

Monitored area (tangential movement): 250 m<sup>2</sup> /  
2.5 m mounting height