

**B.E.G.****LUXOMAT®** net

## PD4N-BMS DALI-2

Prod.No. 93546 EAN: 4007529935468

- Voltage: via DALI Bus, max. 22.5 V DC
- Dimensions: Ø 106 x 68 mm
- Settings: via DALI-Bus and application which supports DALI multisensors according to IEC62386, parts 101, 103, 303 and 304

### Order data

Designation	Colour	Art.No
PD4N-BMS DALI-2	white	93546

### Accessories

Designation	Colour	Art.No
SM socle mounting set IP54 PD2N- / PD4N-FM	white	93307
SM socle mounting set IP54 PD2N- / PD4N-FM	black	93753
SM socle mounting set IP54 PD2N- / PD4N-FM	traffic white	93752
SM socle mounting set IP54 PD2N- / PD4N-FM	anthracite	93751
SM socle mounting set IP65 PD4N	white	93314
lens PD4N, Cover ring	anthracite	93731
lens PD4N, Cover ring	black	93733
lens PD4N, Cover ring	traffic white	93732
Corridor lens PD4N type A, Cover ring	traffic white	93742
Corridor lens PD4N type A, Cover ring	anthracite	93741

Corridor lens PD4N type A, Cover ring	black	93743
Corridor lens PD4N type A	white	93073
Wire basket BSK (Ø 200 x 90 mm)	white	92199
Pendulum mounting set PD2/3/4 SM	white	93179

## Technical data

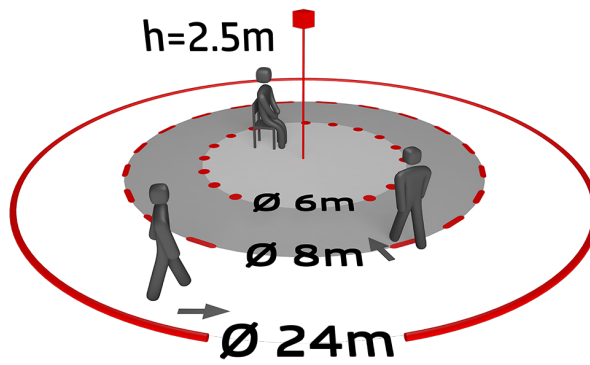
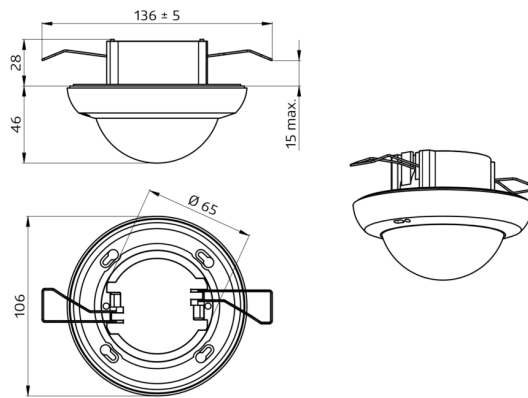
Voltage:	via DALI Bus, max. 22.5 V DC
Dimensions:	Ø 106 x 68 mm via DALI-Bus and application which supports DALI
Settings:	multisensors according to IEC62386, parts 101, 103, 303 and 304
Typ. power input:	7 mA
Settling time:	200 ms
Detection area:	horizontal 360° (Ceiling mounting) max. Ø 24 m across
Range:	max. Ø 8 m towards max. Ø 6.4 m seated
Monitored area (tangential movement):	450 m <sup>2</sup> / 2.5 m mounting height
Mounting height min./max./recommended:	2 m / 10 m / 2.5 m
Degree / class of protection:	IP20 / Class II
Impact strength:	IK04
Measured light output:	0 - 4095 Lux, Mixed light measuring
Ambient temperature:	-25 °C to +55 °C
Housing:	polycarbonate, UV-resistant
Material color:	white mat, similar to RAL9010

## Product information

Long-range DALI-2 multisensor (input device)
DALI-2 certified product
Powered via DALI bus
Bright LED indication for commissioning
DALI multimaster technology according to IEC 62386 part 103
Instance 0 provides information regarding occupancy and movement for the DALI-Bus according to IEC 62386 part 303
Instance 1 provides LUX values for the DALI-Bus according to IEC 62386 part 304
Parameterisation is possible via mandatory Multimaster-Application-Controller of any manufacturer. This controller must support IEC 62386 parts 101/103/303/304.
Mixed light measurement with internal and external light sensor
Suitable for mounting in false ceilings and flush-mounting
Accessory for surface mounting available
Detection area can be restricted with blinds
Individual adaption of detection sensitivity for each PIR sensor
Status LEDs can be activated / deactivated

### Application examples:

staircases, small offices, open-plan offices, conference rooms, classrooms/seminar rooms, sports halls/ storage rooms



## Accessories



### **SM socle mounting set IP54 PD2N- / PD4N-FM**

Art.No: 93307

Dimensions: Ø 109 x 19 mm  
Degree / class of protection: IP54  
Material color: white, similar to RAL9010



### **SM socle mounting set IP54 PD2N- / PD4N-FM**

Art.No: 93753

Dimensions: Ø 109 x 19 mm  
Degree / class of protection: IP54  
Housing: polycarbonate, UV-resistant



### **SM socle mounting set IP54 PD2N- / PD4N-FM**

Art.No: 93752

Dimensions: Ø 109 x 19 mm  
Degree / class of protection: IP54  
Housing: polycarbonate, UV-resistant



### **SM socle mounting set IP54 PD2N- / PD4N-FM**

Art.No: 93751

Dimensions: Ø 109 x 19 mm  
Degree / class of protection: IP54  
Housing: polycarbonate, UV-resistant



### **SM socle mounting set IP65 PD4N**

Art.No: 93314

Dimensions: 133 x 133 x 69 mm  
Degree / class of protection: IP65  
Material color: white



### **lens PD4N, Cover ring**

Art.No: 93731

Detection area: horizontal 360°  
(Ceiling mounting)  
Range: max. &Oslash; 24 m  
across<br>max. &Oslash; 8 m  
towards<br>max. &Oslash; 6.4 m  
seated  
Monitored area (tangential  
movement): 450 m<sup>2</sup> / 2.5 m  
mounting height



**lens PD4N, Cover ring**

Art.No: 93733

Detection area: horizontal 360°  
(Ceiling mounting)  
Range: max. &Oslash; 24 m  
across<br>max. &Oslash; 8 m  
towards<br>max. &Oslash; 6.4 m  
seated  
Monitored area (tangential  
movement): 450 m<sup>2</sup> / 2.5 m  
mounting height



**lens PD4N, Cover ring**

Art.No: 93732

Detection area: horizontal 360°  
(Ceiling mounting)  
Range: max. &Oslash; 24 m  
across<br>max. &Oslash; 8 m  
towards<br>max. &Oslash; 6.4 m  
seated  
Monitored area (tangential  
movement): 450 m<sup>2</sup> / 2.5 m mounting  
height



**Corridor lens PD4N type A,  
Cover ring**

Art.No: 93742

Detection area: horizontal 360°  
(Ceiling mounting)  
Range: max. &Oslash; 40 m  
across<br>max. &Oslash; 20 m  
towards  
Monitored area (tangential  
movement): 250 m<sup>2</sup> / 2.5 m  
mounting height



**Corridor lens PD4N type A, Cover  
ring**

Art.No: 93741

Detection area: horizontal 360° (Ceiling  
mounting)  
Range: max. &Oslash; 40 m  
across<br>max. &Oslash; 20 m  
towards  
Monitored area (tangential movement):  
250 m<sup>2</sup> / 2.5 m mounting height



**Corridor lens PD4N type A, Cover  
ring**

Art.No: 93743

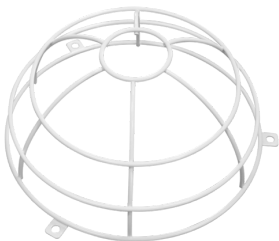
Detection area: horizontal 360° (Ceiling  
mounting)  
Range: max. &Oslash; 40 m  
across<br>max. &Oslash; 20 m  
towards  
Monitored area (tangential movement):  
250 m<sup>2</sup> / 2.5 m mounting height



**Corridor lens PD4N type A**

Art.No: 93073

Detection area: horizontal 360° (Ceiling  
mounting)  
Range: max. &Oslash; 40 m  
across<br>max. &Oslash; 20 m  
towards  
Monitored area (tangential movement):  
250 m<sup>2</sup> / 2.5 m mounting height



**Wire basket BSK (Ø 200 x 90 mm)**

Art.No: 92199

Dimensions: Ø 200 x 90 mm  
Impact strength: IK09  
Housing: coated steel basket



**Pendulum mounting set PD2/3/4 SM**

Art.No: 93179

Dimensions: 1 : Ø 113 x 79 mm, 2 : Ø  
113 x 34 mm  
Housing: polycarbonate, UV-resistant  
Material color: white, similar to  
RAL9010