

B.E.G.**LUXOMAT®**

PD4-M-HCL2-FC DALI-2

Prod.No. 93484 EAN: 4007529934843

- Voltage: 230 V AC $\pm 10\%$ 50 Hz
- Dimensions: \varnothing 117 x 100 mm
- Power consumption: approx. 2 W

Order data

Designation	Colour	Art.No
PD4-M-HCL2-FC DALI-2	white	93484

Accessories

Designation	Colour	Art.No
BLE-IR-Adapter	black	93067
IR-HCL2-Mini	-	93374
PS-DALI-LINK-FC	white	92846
Wire basket BSK (\varnothing 200 x 90 mm)	white	92199
Wire basket BSK (\varnothing 164 x 143 mm)	white	92467
Blinds PD4	transparent	92313

Technical data

Voltage:	230 V AC \pm 10% 50 Hz
Dimensions:	\varnothing 117 x 100 mm
Power consumption:	approx. 2 W
Detection area:	horizontal 360° (Ceiling mounting)
Range:	max. \varnothing 24 m across max. \varnothing 8 m towards max. \varnothing 6.4 m seated
Monitored area (tangential movement):	450 m ² / 2.5 m mounting height
Mounting height min./max./recommended:	2 m / 10 m / 2.5 m
Degree / class of protection:	IP20 / Class II
Impact strength:	IK04
Ambient temperature:	-25 °C to +50 °C
Housing:	polycarbonate, UV-resistant
Material color:	white, similar to RAL9010

DALI Control

DALI output:	100 mA (guaranteed), 120 mA (max.)
Supported control gear:	DT5, DT6, DT7, DT8-Tc (HCL only possible with DT8-Tc, 2700 - 6500 K)
Supported control devices:	B.E.G. BMS (motion detection)
Follow-up time:	1 min - 150 min
Orientation light:	5 - 100 % / OFF / 1 min - 255 min / ∞
Brightness set value:	10 - 2500 Lux

Relay (dry NO)

Switching power:	2300 W, $\cos \varphi$ = 1 1150 VA, $\cos \varphi$ = 0.5 800 W LED max. inrush current I_p (20 ms) = 165 A, I_p (200 μ s) = 800 A
Type of contact:	1x μ -contact, NO contact
Follow-up time:	5 sec - 120 min (HVAC)

Product information

Bidirectional occupancy detector with integrated DALI application controller for an energy-efficient and biologically effective light control (Human Centric Lighting)

Integrated DALI power supply and 3 push-button inputs

Preset and freely adjustable HCL curves (12 anchor points per 24h)

Adjustable communication mode "Broadcast" (1 light zone, without addressing) or "Multicast" (several light zones, HVAC, with addressing)

Dim-2-Warm: brightness and colour temperature can be infinitely adjusted simultaneously with a long keystroke

Calling up lighting scenes using accessory

Mixed light measurement with internal and external light sensor

External light sensor can be swivelled by 45

Powerful switching relay for different operating modes, e.g. Cut-off function for DALI ballasts, HVAC, blackboard illumination.

Quick commissioning and maintenance processes via Smartphone/Tablet App (Android, iOS) - No PC-Tool required

Detection range can be extended with up to 8 B.E.G. BMS multisensors

Up to 64 DT8 driver luminaires (Colour Type Tc), doubling the DALI output current with accessory may be necessary

Complete range of functions can only be activated using the BLE-IR-Adapter and a compatible Smartphone or Tablet (Android, iOS).

The integrated real time clock regulates automatically the colour temperature and the brightness level in such a way that the human circadian rhythm is supported

An outdoor colour temperature light sensor, available as an accessory, can be used to measure / transmit the current daylight value

Lighting zone A for main lighting with segmented, daylight-dependent regulation in offset mode via 3 DALI groups

Lighting zone B for desk or accent lighting via separate DALI group or via integrated relay

Lighting zone B - Output type adjustable to switching output (factory setting) or regulation output (same as group 1)

Manual switching or dimming via conventional pushbuttons

Colour temperature can be adjusted separately and continuously via separate push-button input

Adjustable dynamics (minimum and maximum values) for brightness and colour temperature

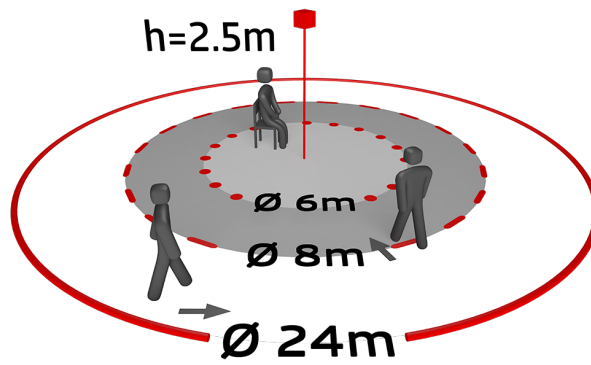
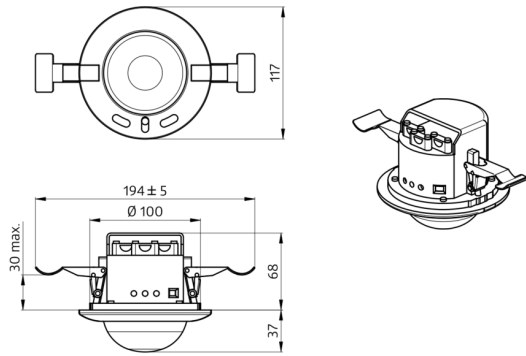
Status LEDs can be activated / deactivated

PIN code

Orientation light function

Number of DALI participants can be determined quickly and reliably via the B.E.G. Online DALI Line Planner

Avoidance of standby losses of the lighting system in accordance with EnEV DIN V 18599-4



Accessories



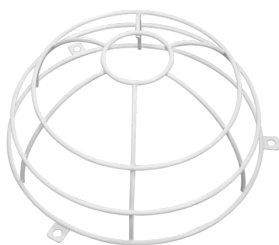
BLE-IR-Adapter

Art.No: 93067

Dimensions: 40 x 55 x 103 mm

Material color: black

Frequency: 2.4 GHz ISM band, GFSK
0.2 dBm + 5.3 dBi = 5.5 dBm



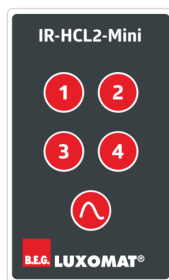
Wire basket BSK (Ø 200 x 90 mm)

Art.No: 92199

Dimensions: Ø 200 x 90 mm

Impact strength: IK09

Housing: coated steel basket



IR-HCL2-Mini

Art.No: 93374

Battery: 3.0 V Lithium CR2032
(inclusive)

Dimensions: 57 x 35 x 7 mm

Material color: -



Wire basket BSK (Ø 164 x 143 mm)

Art.No: 92467

Dimensions: Ø 164 x 143 mm

Impact strength: IK09

Housing: coated steel basket



PS-DALI-LINK-FC

Art.No: 92846

Voltage: 110 - 277 V AC 50 / 60 Hz

Dimensions: 240 x 26 x 26 mm

Output voltage: 16 V DC (DALI,
typical)



Blinds PD4

Art.No: 92313

Housing: Housing UV- and
shockresistant Polycarbonate
Material color: transparent