

B.E.G.**LUXOMAT®**

PD4-M-1C-GH-SM

Prod.No. 92245 EAN: 4007529922451

- Voltage: 110 - 240 V AC 50 / 60 Hz
- Dimensions: Ø 98 x 63 mm
- Power consumption: approx. 0.5 W

Areas of application

- high-bay warehouse
- sports halls/ storage rooms

Order data

| Designation | Colour | Art.No |
|----------------|--------|--------|
| PD4-M-1C-GH-SM | white | 92245 |

Accessories

| Designation | Colour | Art.No |
|--|-------------|--------|
| RC-Arc extinction kit | white | 10880 |
| Mini-RC-Arc extinction kit | | 10882 |
| BLE-IR-Adapter | black | 93067 |
| IR-PD-LD | - | 92479 |
| IR-Adapter for Smartphones | black | 92726 |
| Surface mounting socket IP65 for PD4-SM IP20 | white | 92375 |
| SM socket IP54 for PD2- / PD4-SM | white | 92161 |
| Wire basket BSK (Ø 200 x 90 mm) | white | 92199 |
| Blinds PD4 | transparent | 92313 |
| Pendulum mounting set PD2/3/4 SM | white | 93179 |

Technical data

| | |
|---|---|
| Voltage: | 110 - 240 V AC 50 / 60 Hz |
| Dimensions: | Ø 98 x 63 mm |
| Power consumption: | approx. 0.5 W |
| Detection area: | horizontal 360° oval (Ceiling mounting) |
| Range: | 30 m x 19 m |
| Monitored area (tangential movement): | 440 m ² / 14 m mounting height |
| Mounting height min./max./recommended: | 5 m / 16 m / 14 m |
| Degree / class of protection: | IP20 / Class II |
| Impact strength: | IK04 |
| Ambient temperature: | -25 °C to +50 °C |
| Housing: | polycarbonate, UV-resistant |
| Material color: | white mat, similar to RAL9010 |

Channel 1 (lighting control, potential-free (dry))

| | |
|----------------------|--|
| Switching power: | 2300 W, $\cos \varphi$ = 1 1150 VA, $\cos \varphi$ = 0.5 800 W LED max. inrush current I_p (20 ms) = 165 A max. inrush current I_p (200 μ s) = 800 A |
| Type of contact (k): | 1x μ -contact, dry NO contact with tungsten pre-make contact |
| Follow-up time: | 15 sec - 30 min, Pulse |
| Switch-on threshold: | 20 - 2000 Lux |
| Light measuring: | Mixed light measuring |

Product information

Occupancy detector designed for high-bay warehouses
One potential-free (dry) switching contact
Version as master device

Detection area can be extended by using slave devices

Easy operation with remote control (required)

Manual switching via push-button possible

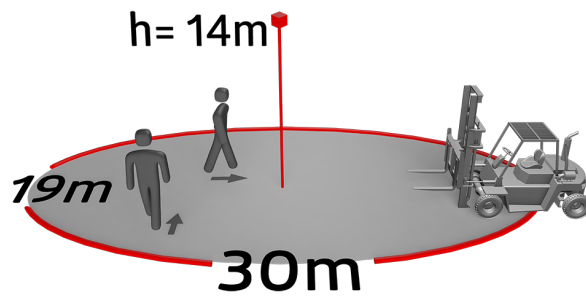
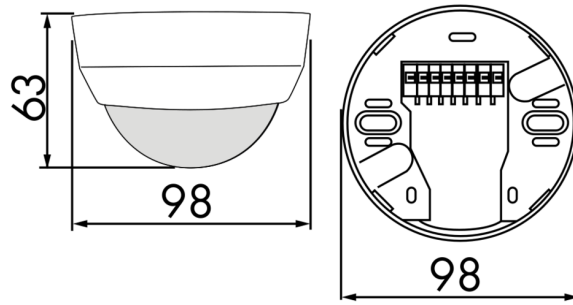
There are markings to ensure correct alignment during installation

When used in high-bay warehouses, care should be taken that, in the cross-aisles of the warehouse, detectors are installed that can detect movement only in the desired aisle locations, by using blinds or other technical arrangements.

Factory settings 3 min and 1000 lux

Application examples:

high-bay warehouse, sports halls/ storage rooms



Accessories



RC-Arc extinction kit
Art.No: 10880

Voltage: 230 V AC $\pm 10\%$
Dimensions: 38 x 12 x 26 mm
Degree / class of protection: IP20 / Class II



Mini-RC-Arc extinction kit
Art.No: 10882

Voltage: 230 V AC $\pm 10\%$
Dimensions: 50 x 23 x 8 mm
Degree / class of protection: IP20 / Class II



BLE-IR-Adapter
Art.No: 93067

Dimensions: 40 x 55 x 103 mm
Material color: black
Frequency: 2.4 GHz ISM band, GFSK
0.2 dBm + 5.3 dBi = 5.5 dBm



IR-PD-LD
Art.No: 92479

Battery: 3 x 1.5 V Micro AAA (not included)
Dimensions: 83 x 53 x 17 mm
Material color: -



IR-Adapter for Smartphones
Art.No: 92726

Dimensions: 47 x 19 x 10 mm
Degree / class of protection: IP20
Ambient temperature: -20 °C to +40 °C



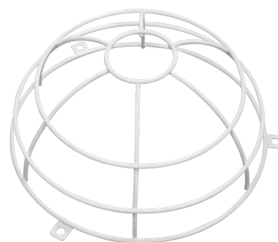
Surface mounting socket IP65 for PD4-SM IP20
Art.No: 92375

Dimensions: \varnothing 115 x 70 mm
Degree / class of protection: IP65
Impact strength: IK07



SM socket IP54 for PD2- / PD4-SM
Art.No: 92161

Dimensions: \varnothing 100 x 15 mm
Degree / class of protection: IP54
Housing: polycarbonate, UV-resistant



Wire basket BSK (\varnothing 200 x 90 mm)
Art.No: 92199

Dimensions: \varnothing 200 x 90 mm
Impact strength: IK09
Housing: coated steel basket



Blinds PD4
Art.No: 92313

Housing: Housing UV- and shockresistant Polycarbonate
Material color: transparent



Pendulum mounting set PD2/3/4 SM

Art.No: 93179

Dimensions: 1 : Ø 113 x 79 mm, 2 : Ø
113 x 34 mm

Housing: polycarbonate, UV-resistant

Material color: white, similar to RAL9010