



## PD4-DALI-SYS-GH-SM

Prod.No. 93345 EAN: 4007529933457

- Voltage: via DALI Bus, max. 22.5 V DC
- Dimensions: Ø 101 x 76 mm
- Settings: B.E.G. PC Tools, B.E.G. DALI-SYS router

### Order data

Designation	Colour	Art.No
PD4-DALI-SYS-GH-SM	white	93345

### Accessories

Designation	Colour	Art.No
IR-PD-DALI-Mini	-	92112
Wire basket BSK (Ø 200 x 90 mm)	white	92199
Blinds PD4	transparent	92313
Pendulum mounting set PD2/3/4 SM	white	93179

## Technical data

Voltage:	via DALI Bus, max. 22.5 V DC
Dimensions:	Ø 101 x 76 mm
Settings:	B.E.G. PC Tools, B.E.G. DALI-SYS router
Typ. power input:	7 mA
Detection area:	horizontal 360° oval (Ceiling mounting)
Range:	30 m x 19 m
Monitored area (tangential movement):	440 m <sup>2</sup> / 14 m mounting height
Mounting height min./max./recommended:	5 m / 16 m / 14 m
Degree / class of protection:	IP54 / Class II
Impact strength:	IK04
Ambient temperature:	-25 °C to +50 °C
Housing:	polycarbonate, UV-resistant
Material color:	white mat
Follow-up time:	1 sec - 120 min
Orientation light:	5 - 100 % / 1 min - 120 min / ∞
Brightness set value:	10 - 2500 Lux

## Product information

DALI multisensor for surface mounting in large mounting heights

Powered via DALI bus

External telescopic light sensor for a mounting height between 5 and 16 m (mechanically adjustable) for measuring the light according to the application.

Seamless integration in B.E.G. LUXOMAT® net DALI-SYS

Bright LED indication for commissioning

Detection area can be extended thanks to master-slave-mode

Integrated daylight harvesting circuit (or switch output)

Guided Light, Soft-Start PLUS, Orientation light PLUS

Works out-of-the box for easy installation check

Full range of functions can only be activated with other products of the product group B.E.G. LUXOMAT® net DALI-SYS

There are markings to ensure correct alignment during installation

**When used in high-bay warehouses, care should be taken that, in the cross-aisles of the warehouse, detectors are installed that can detect movement only in the desired aisle locations, by using blinds or other technical arrangements.**

This article is a component of a lighting control system from B.E.G., which supports the use of DALI control gear (luminaires, relays) from other manufacturers

The use of DALI application controllers from other manufacturers is not supported

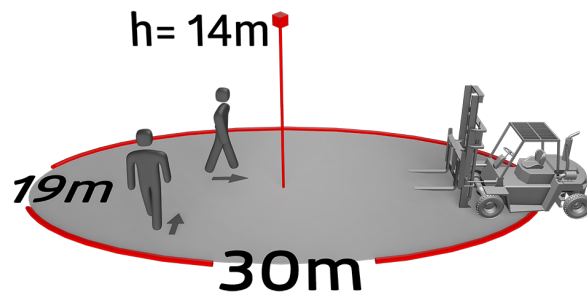
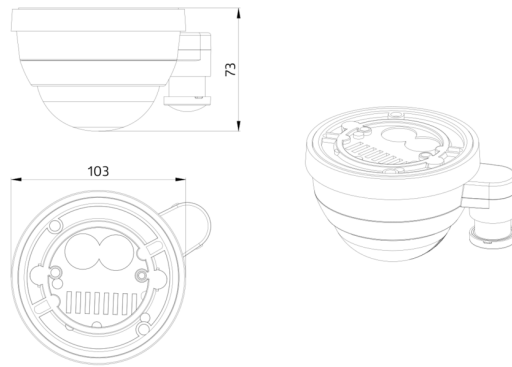
The use of DALI input devices (sensors, push-buttons) from other manufacturers is not supported

Additional system components (hardware) from B.E.G. are required

Additional services (planning, commissioning and maintenance) from B.E.G. are required

### Application examples:

high-bay warehouse



## Accessories



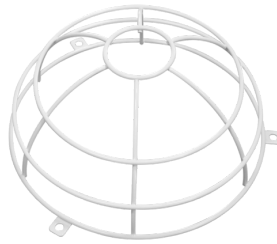
### IR-PD-DALI-Mini

Art.No: 92112

Battery: 3.0 V Lithium CR2032 (inclusive)

Dimensions: 57 x 35 x 7 mm

Material color: -



### Wire basket BSK (Ø 200 x 90 mm)

Art.No: 92199

Dimensions: Ø 200 x 90 mm

Impact strength: IK09

Housing: coated steel basket



### Blinds PD4

Art.No: 92313

Housing: Housing UV- and shockresistant Polycarbonate

Material color: transparent



### Pendulum mounting set PD2/3/4 SM

Art.No: 93179

Dimensions: 1 : Ø 113 x 79 mm, 2 : Ø 113 x 34 mm

Housing: polycarbonate, UV-resistant

Material color: white, similar to RAL9010