

B.E.G.**LUXOMAT®**

PD4-CAS2-GH DALI-2

Prod.No. 93478 EAN: 4007529934782

- Voltage: 230 V AC \pm 10% 50 Hz
- Dimensions: \varnothing 101 x 76 mm
- Settings: Casambi App

Order data

Designation	Colour	Art.No
PD4-CAS2-GH DALI-2	white	93478

Accessories

Designation	Colour	Art.No
Blinds PD4	transparent	92313
Pendulum mounting set PD2/3/4 SM	white	93179

Technical data

Voltage:	230 V AC ±10% 50 Hz
Dimensions:	Ø 101 x 76 mm
Settings:	Casambi App
Power consumption:	0.4 W
Detection area:	horizontal 360° oval (Ceiling mounting)
Range:	30 m x 19 m
Monitored area (tangential movement):	440 m ² / 14 m mounting height
Mounting height min./max./recommended:	5 m / 16 m / 14 m
Degree / class of protection:	IP54 / Class II
Impact strength:	IK04
Ambient temperature:	-5 °C to +45 °C
Housing:	polycarbonate, UV-resistant
Material color:	white mat, similar to RAL9010

Channel 1 (lighting control)

DALI output:	80 mA (guaranteed), 125 mA (max.), shut down mechanism
Supported control gear:	DT0, DT5, DT6, DT7, DT8
Supported control devices:	- (single master)
Follow-up time:	1 sec - 60 min
Brightness set value:	1 - 4000 Lux
Light measuring:	Mixed light measuring

Product information

Casambi occupancy detector for surface mounting in large mounting heights

Integrated DALI power supply

DALI-2 interface for controlling digital dimmable ECGs in broadcast mode

DALI-2 certified product

Integrated temperature monitoring and short-circuit detection

Bright LED indication for commissioning

External telescopic light sensor for a mounting height between 5 and 16 m (mechanically adjustable) for measuring the light according to the application.

Mixed light measurement with external light sensor

Adjustment of the reflection factor and input of the luminosity for the display of the actual luminosity in the app

Extension of the detection area with additional B.E.G. Casambi devices possible

Individual adaption of detection sensitivity for each PIR sensor

Detection area can be restricted with blinds

There are markings to ensure correct alignment during installation

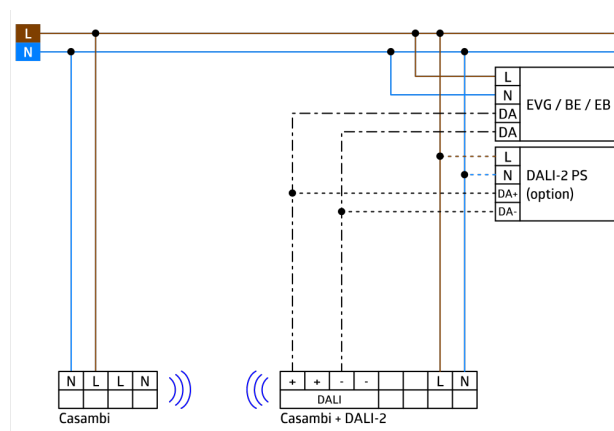
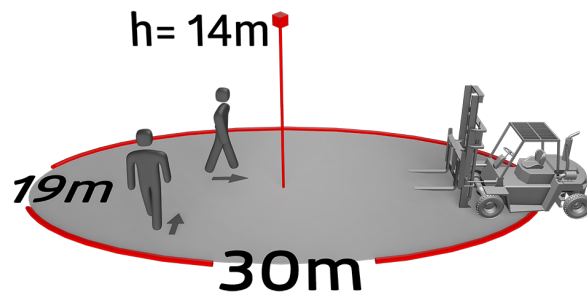
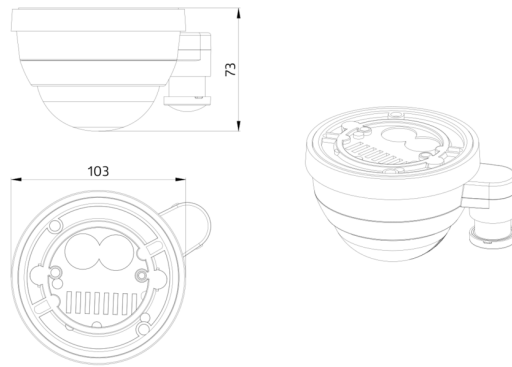
When used in high-bay warehouses, care should be taken that, in the cross-aisles of the warehouse, detectors are installed that can detect movement only in the desired aisle locations, by using blinds or other technical arrangements.

Manual switching and dimming via push button possible

Functions adjustable via Casambi app

Application examples:

high-bay warehouse, sports halls/ storage rooms



Accessories



Blinds PD4
Art.No: 92313

Housing: Housing UV- and shockresistant Polycarbonate
Material color: transparent



Pendulum mounting set PD2/3/4 SM
Art.No: 93179

Dimensions: 1 : Ø 113 x 79 mm, 2 : Ø 113 x 34 mm
Housing: polycarbonate, UV-resistant
Material color: white, similar to RAL9010