

B.E.G.**LUXOMAT®**

PD4-CAS-GH

Prod.No. 93472 EAN: 4007529934720

- Voltage: 230 V AC \pm 10% 50 Hz
- Dimensions: \varnothing 101 x 76 mm
- Settings: Casambi App

Order data

| Designation | Colour | Art.No |
|-------------|--------|--------|
| PD4-CAS-GH | white | 93472 |

Accessories

| Designation | Colour | Art.No |
|----------------------------------|--------|--------|
| Pendulum mounting set PD2/3/4 SM | white | 93179 |

Technical data

| | |
|---|---|
| Voltage: | 230 V AC ±10% 50 Hz |
| Dimensions: | Ø 101 x 76 mm |
| Settings: | Casambi App |
| Power consumption: | 0.4 W |
| Detection area: | horizontal 360° oval (Ceiling mounting) |
| Range: | 30 m x 19 m |
| Monitored area (tangential movement): | 440 m ² / 14 m mounting height |
| Mounting height min./max./recommended: | 5 m / 16 m / 14 m |
| Degree / class of protection: | IP54 / Class II |
| Impact strength: | IK04 |
| Ambient temperature: | -5 °C to +45 °C |
| Housing: | polycarbonate, UV-resistant |
| Material color: | white mat, similar to RAL9010 |

Channel 1 (lighting control)

| | |
|-----------------------|--------------------------|
| Follow-up time: | 1 sec - 60 min |
| Brightness set value: | 1 - 4000 Lux |
| Light measuring: | Mixed light measuring |

Product information

Casambi occupancy detector for surface mounting in large mounting heights

Bright LED indication for commissioning

External telescopic light sensor for a mounting height between 5 and 16 m (mechanically adjustable) for measuring the light according to the application.

Mixed light measurement with external light sensor

Adjustment of the reflection factor and input of the luminosity for the display of the actual luminosity in the app

Extension of the detection area with additional B.E.G. Casambi devices possible

Individual adaption of detection sensitivity for each PIR sensor

Detection area can be restricted with blinds

There are markings to ensure correct alignment during installation

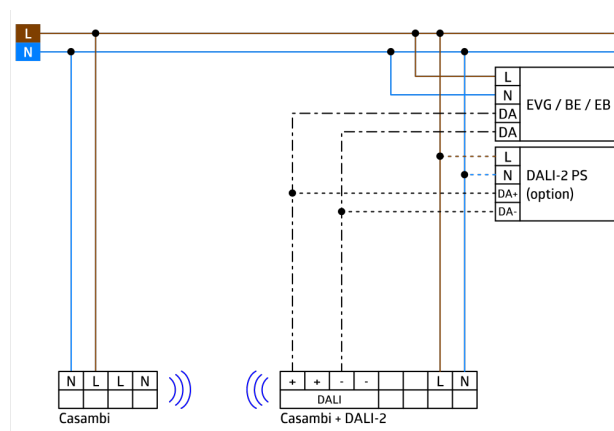
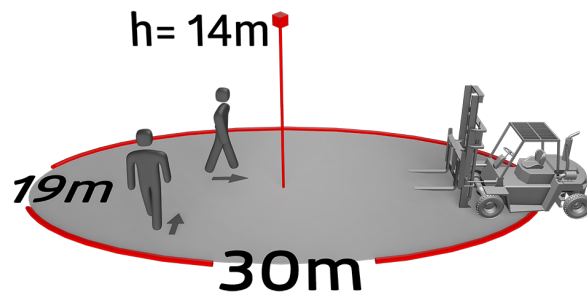
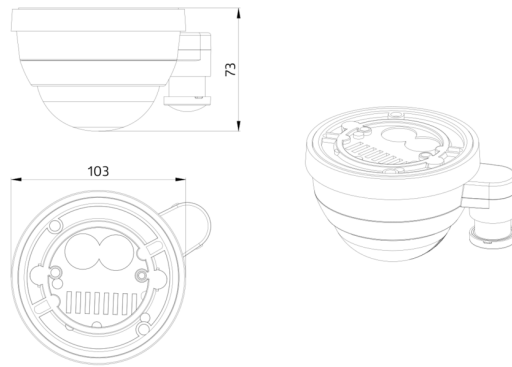
When used in high-bay warehouses, care should be taken that, in the cross-aisles of the warehouse, detectors are installed that can detect movement only in the desired aisle locations, by using blinds or other technical arrangements.

Manual switching and dimming via push button possible

Functions adjustable via Casambi app

Application examples:

high-bay warehouse, sports halls/ storage rooms





Accessories



Pendulum mounting set PD2/3/4 SM

Art.No: 93179

Dimensions: 1 : Ø 113 x 79 mm, 2 : Ø 113 x 34 mm

Housing: polycarbonate, UV-resistant

Material color: white, similar to RAL9010