



## PD4-BMS-GH-SM DALI-2 Set 93545-92199

- Voltage: via DALI Bus, max. 22.5 V DC
- Dimensions: **Ø 200 x 90 mm (92199)**
- Settings: via DALI-Bus and application which supports DALI multisensors according to IEC62386, parts 101, 103, 303 and 304

### Order data

Designation	Colour	Art.No
PD4-BMS-GH-SM DALI-2	white	93545
Wire basket BSK (Ø 200 x 90 mm)	white	92199

## Technical data

Voltage:	via DALI Bus, max. 22.5 V DC
Dimensions:	<b>Ø 200 x 90 mm (92199)</b> via DALI-Bus and application which supports DALI
Settings:	multisensors according to IEC62386, parts 101, 103, 303 and 304
Typ. power input:	7 mA
Settling time:	200 ms
Detection area:	horizontal 360° oval (Ceiling mounting)
Range:	30 m x 19 m
Monitored area (tangential movement):	440 m <sup>2</sup> / 14 m mounting height
Mounting height min./max./recommended:	5 m / 16 m / 14 m
Degree / class of protection:	IP54 / Class II
Impact strength:	<b>IK09 (92199)</b>
Measured light output:	0 - 4095 Lux, Mixed light measuring
Ambient temperature:	-25 °C to +50 °C
Housing:	<b>polycarbonate, UV-resistant + coated steel basket (92199)</b>
Material color:	white mat, similar to RAL9010

## Product information

Set : PD4-BMS-GH-SM DALI-2 + Wire basket BSK (Ø 200 x 90 mm) white

DALI-2 multisensor (input device) for surface mounting in large mounting heights

DALI-2 certified product

Powered via DALI bus

External telescopic light sensor for a mounting height between 5 and 16 m (mechanically adjustable) for measuring the light according to the application.

Bright LED indication for commissioning

DALI multimaster technology according to IEC 62386 part 103

Instance 0 provides information regarding occupancy and movement for the DALI-Bus according to IEC 62386 part 303

Instance 1 provides LUX values for the DALI-Bus according to IEC 62386 part 304

Parameterisation is possible via mandatory Multimaster-Application-Controller of any manufacturer. This controller must support IEC 62386 parts 101/103/303/304.

Mixed light measurement with external light sensor

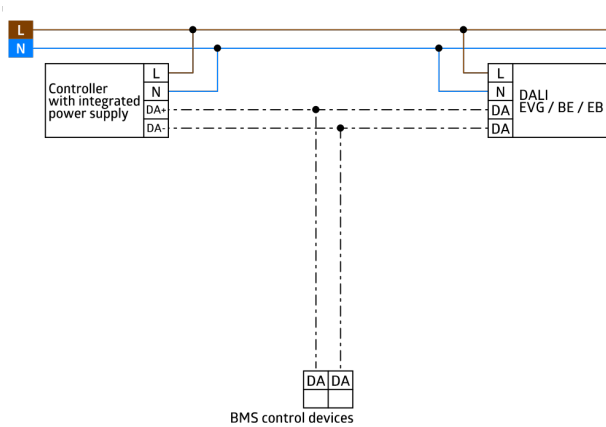
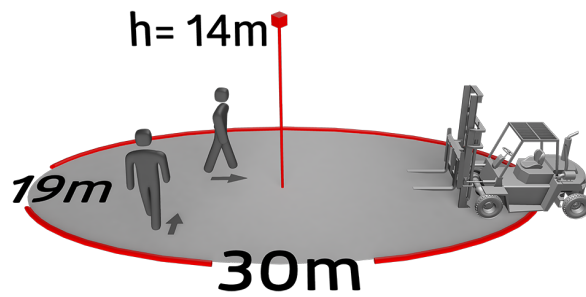
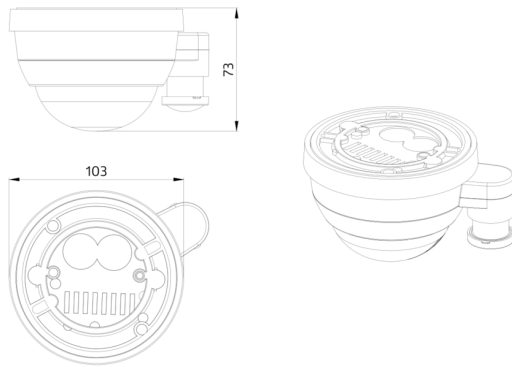
Detection area can be restricted with blinds

There are markings to ensure correct alignment during installation

**When used in high-bay warehouses, care should be taken that, in the cross-aisles of the warehouse, detectors are installed that can detect movement only in the desired aisle locations, by using blinds or other technical arrangements.**

Individual adaption of detection sensitivity for each PIR sensor

Status LEDs can be activated / deactivated





## Set items

To receive the bundle according to the technical specification, please order the items listed.



### **PD4-BMS-GH-SM DALI-2**

Art.No: 93545

Voltage: via DALI Bus, max. 22.5 V DC

Dimensions: Ø 101 x 76 mm

Settings: via DALI-Bus and application which supports DALI multisensors according to IEC62386, parts 101, 103, 303 and 304



### **Wire basket BSK (Ø 200 x 90 mm)**

Art.No: 92199

Dimensions: Ø 200 x 90 mm

Impact strength: IK09

Housing: coated steel basket