

**B.E.G.****LUXOMAT<sup>®</sup>net**

## PD2N-LTMS-RR-FC

Prod.No. 92119 EAN: 4007529921195

- Voltage: 16 - 48 V DC
- Dimensions: Ø 80 x 83 mm
- Power consumption: < 1 W

### Order data

| Designation     | Colour | Art.No |
|-----------------|--------|--------|
| PD2N-LTMS-RR-FC | white  | 92119  |

### Accessories

| Designation                     | Colour | Art.No |
|---------------------------------|--------|--------|
| BLE-IR-Adapter                  | black  | 93067  |
| IR-LTMS                         | -      | 92185  |
| Wire basket BSK (Ø 200 x 90 mm) | white  | 92199  |

## Technical data

|   |   |
|---|---|
| Voltage:                                  | 16 – 48 V DC  |
| Dimensions:                               | Ø 80 x 83 mm  |
| Power consumption:                        | < 1 W   |
| Detection area:                           | horizontal 360°<br>(Ceiling mounting)<br>max. Ø 10 m<br>across<br>max. Ø 6 m<br>towards<br>max. Ø 4 m<br>seated |
| Range:                                    |   |
| Monitored area (tangential movement):     | 78 m <sup>2</sup> / 2.5 m<br>mounting<br>height   |
| Mounting height<br>min./max./recommended: | 2 m / 5 m / 2.5<br>m  |
| Degree / class of<br>protection:          | IP20 / Class II   |
| Impact strength:                          | IK05  |
| Measured light output:                    | 0 – 1000 Lux,<br>0-10 V, ca. 10<br>mV/ Lux  |
| Temperatur Ausgabe:                       | 0 °C – +50 °C,<br>0-10 V, ca. 200<br>mV/°C  |
| Ambient temperature:                      | 0 °C to +50 °C  |
| Housing:                                  | polycarbonate,<br>UV-resistant  |
| Material color:                           | white mat,<br>similar to<br>RAL9010   |

### Channel 1

|                      |                                     |
|----------------------|-------------------------------------|
| Switching power:     | 48 V DC / 0.1 A<br>, cos $\phi$ = 1 |
| Type of contact (k): | $\mu$ -contact, dry<br>NO contact   |
| Follow-up time:      | 1 sec – 60 min,<br>Pulse            |
| Light measuring:     | Mixed light<br>measuring            |

## Product information

Multi-sensor for acquisition of data concerning occupancy (presence), temperature, and brightness.

For integration into proprietary bus system

Output of motion detection via switch contact

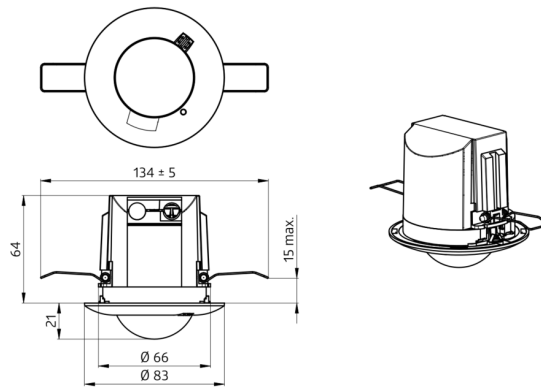
Output of current light and temperature values as analogue voltage

Fine adjustment of output values for light measurement and temperature via potentiometer on device

Additional functions can be set up using the optional remote control.

### Application examples:

small offices, staircases, open-plan offices, conference rooms, classrooms/seminar rooms



## Accessories



### BLE-IR-Adapter

Art.No: 93067

Dimensions: 40 x 55 x 103 mm

Material color: black

Frequency: 2.4 GHz ISM band, GFSK 0.2 dBm + 5.3 dBi = 5.5 dBm



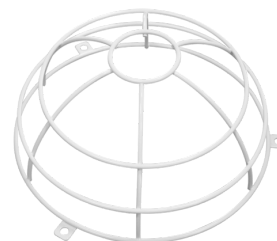
### IR-LTMS

Art.No: 92185

Battery: 3.0 V Lithium CR2032 (inclusive)

Dimensions: 80 x 60 x 8 mm

Material color: -



### Wire basket BSK (Ø 200 x 90 mm)

Art.No: 92199

Dimensions: Ø 200 x 90 mm

Impact strength: IK09

Housing: coated steel basket