



PD2N-LTMS-FC

Prod.No. 92113 EAN: 4007529921133

- Voltage: 16 - 48 V DC
- Dimensions: Ø 80 x 83 mm
- Power consumption: < 1 W

Order data

Designation	Colour	Art.No
PD2N-LTMS-FC	white	92113

Accessories

Designation	Colour	Art.No
Wire basket BSK (Ø 200 x 90 mm)	white	92199

Technical data

Voltage:	16 - 48 V DC
Dimensions:	Ø 80 x 83 mm
Power consumption:	< 1 W
Detection area:	horizontal 360° (Ceiling mounting) max. Ø 10 m across max. Ø 6 m towards max. Ø 4 m seated
Range:	
Monitored area (tangential movement):	78 m ² / 2.5 m mounting height
Mounting height min./max./recommended:	2 m / 5 m / 2.5 m
Degree / class of protection:	IP20 / Class II
Impact strength:	IK05
Measured light output:	0 - 1000 Lux, 0-10 V, ca. 10 mV/ Lux
Temperatur Ausgabe:	0 °C - +50 °C, 0-10 V, ca. 200 mV/°C
Ambient temperature:	0 °C to +50 °C
Housing:	polycarbonate, UV-resistant
Material color:	white mat, similar to RAL9010

Channel 1

Switching power:	48 V DC / 3 A , cos φ = 1
Type of contact (k):	μ-contact, dry NO contact
Follow-up time:	15 sec - 30 min, Pulse
Light measuring:	Mixed light measuring

Product information

Multi-sensor for acquisition of data concerning occupancy (presence), temperature, and brightness.

For integration into proprietary bus system

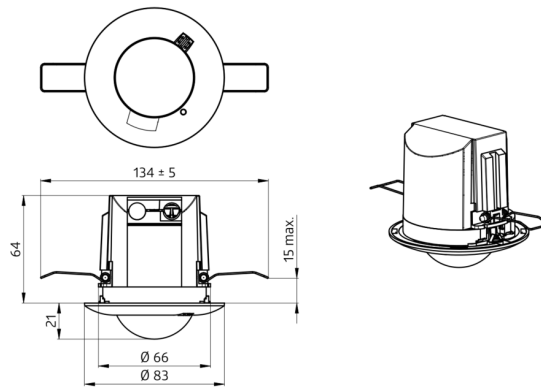
Output of current light and temperature values as analogue voltage

Output of motion detection via switch contact

Fine adjustment of output values for light measurement and temperature via potentiometer on device

Application examples:

small offices, staircases, open-plan offices, conference rooms, classrooms/seminar rooms



Accessories



Wire basket BSK (Ø 200 x 90 mm)

Art.No: 92199

Dimensions: Ø 200 x 90 mm

Impact strength: IK09

Housing: coated steel basket