



PD2N-KNXs-ST-FM Set 93511-93762

- Voltage: via KNX BUS
- Dimensions: Ø 106 x 42 mm
- Typ. power input: 12 mA

Order data

Designation	Colour	Art.No
PD2N-KNXs-ST-FM	white	93511
Cover ring PD2N FM	traffic white	93762

Technical data

Voltage:	via KNX BUS
Dimensions:	Ø 106 x 42 mm
Typ. power input:	12 mA
Detection area:	horizontal 360° (Ceiling mounting) max. Ø 10 m across max. Ø 6 m towards max. Ø 4 m seated
Range:	78 m ² / 2.5 m mounting height
Monitored area (tangential movement):	2 m / 5 m / 2.5 m
Mounting height min./max./recommended:	IP20 / Class III
Degree / class of protection:	IK05
Impact strength:	-25 °C to +55 °C
Ambient temperature:	polycarbonate, UV-resistant
Housing:	2
Number of light sensors:	traffic white mat, similar to RAL9016 (93762)
Material color:	1
Number of PIR sensors:	Yes
KNX TP 256:	5 - 100 % / OFF / 1 min - 255 min
Orientation light:	5 - 100 %
Night light:	5 - 2000 Lux
Brightness set value:	

Product information

Set : PD2N-KNXs-ST-FM + Cover ring PD2N FM traffic white mat, similar to RAL9016

KNX occupancy detector with integrated KNX bus connector

KNX Secure ready

Parameterisation from ETS 5 for integration into KNX systems

Individual adaption of the PIR sensor sensitivity

Mixed light measurement using internal, external and remote (optional) light sensors

Intelligent semi-automatic mode, occupancy-independent regulating mode (photoelectric switch), full automatic mode

1 x Light (for regulating or switching), 1 x slave output, 3 separate HVAC-blocs

Regulation of up to three lighting groups using offset (external influence possible)

Short presence, self-adjusting follow-up time, corridor function

Various locking functions

Soft-start

Recall of light scenes

Deactivatable status indicators

The product database for import into the ETS database can be downloaded from the B.E.G. homepage.

Detection area can be extended thanks to master-slave-mode

Extensive optimization options for light measurement

Measured light value is communicated to the bus

Adaption of dimming curve

Bidirectionally remote control-capable with the IR adapter and the B.E.G. smartphone app

PIN code

IR remote control-capable via IR remote control (optionally)

Programming button (phys. address) can be operated via remote control

HVAC mode (0=automatic, 1=comfort, 2=stand-by, 3=economy, 4=antifreeze/heat protection)

Manual influence via external KNX push buttons possible

Function control (heartbeat, cyclical sending)

Forced switch-off

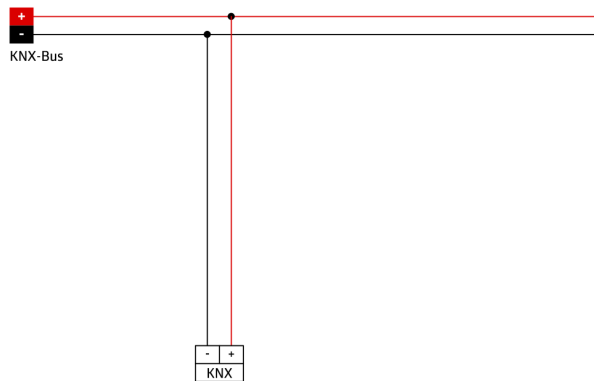
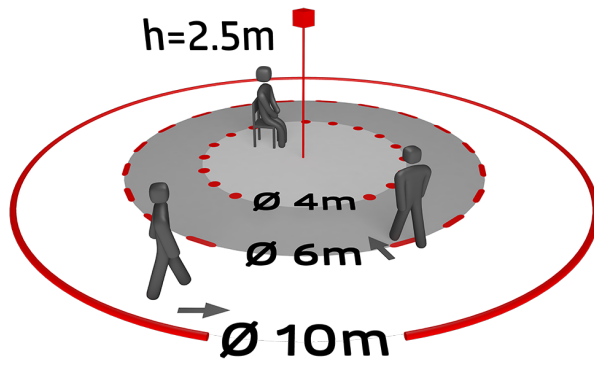
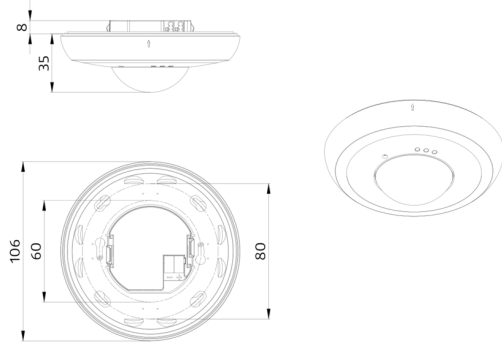
Intelligent central-off function

Premonition of switch-off

Burn-in function for fluorescent lamps selectable from 1h till 100h

Behaviour upon bus voltage return definable at choice

Variable safety pause after switching off the lights



Set items

To receive the bundle according to the technical specification, please order the items listed.



PD2N-KNXs-ST-FM

Art.No: 93511

Voltage: via KNX BUS
Dimensions: Ø 106 x 42 mm
Typ. power input: 12 mA



Cover ring PD2N FM

Art.No: 93762

Dimensions: Ø 106 x 20 mm
Impact strength: IK05
Housing: polycarbonate, UV-resistant