

**B.E.G.****LUXOMAT<sup>®</sup>net**

## PD2N-KNXs-DX-FC

Prod.No. 93512 EAN: 4007529935123

- Voltage: via KNX BUS
- Dimensions: Ø 83 x 55 mm
- Typ. power input: 12 mA

### Order data

Designation	Colour	Art.No
PD2N-KNXs-DX-FC	white	93512

### Accessories

Designation	Colour	Art.No
BLE-IR-Adapter	black	93067
IR-PD-KNX	-	92123
IR-PD-KNX-Mini	-	93398
Cover ring PD2N FC	black	93773
Cover ring PD2N FC	traffic white	93772
Cover ring PD2N FC	anthracite	93771
Wire basket BSK (Ø 200 x 90 mm)	white	92199
Wall holder PD2N/4N Typ A	white	93164

## Technical data

Voltage:	via KNX BUS
Dimensions:	Ø 83 x 55 mm
Typ. power input:	12 mA
Detection area:	horizontal 360° (Ceiling mounting) max. Ø 10 m across max. Ø 6 m towards max. Ø 4 m seated
Range:	
Monitored area (tangential movement):	78 m <sup>2</sup> / 2.5 m mounting height
Mounting height min./max./recommended:	2 m / 5 m / 2.5 m
Degree / class of protection:	IP20 / Class III
Impact strength:	IK05
Temperature measurement range:	-5 °C to +45 °C
Ambient temperature:	-25 °C to +55 °C
Housing:	polycarbonate, UV-resistant
Number of light sensors:	2
Material color:	white mat, similar to RAL9010
Number of PIR sensors:	1
KNX TP 256:	Yes
Orientation light:	5 - 100 % / OFF / 1 min - 255 min
Night light:	5 - 100 %
Brightness set value:	5 - 2000 Lux

## Product information

KNX occupancy detector with integrated KNX bus connector

KNX Secure ready

HCL/RGB control

Parameterisation from ETS 5 for integration into KNX systems

Individual adaption of the PIR sensor sensitivity

Mixed light measurement using internal, external and remote (optional) light sensors

Intelligent semi-automatic mode, occupancy-independent regulating mode (photoelectric switch), full automatic mode

1 x Light (for regulating or switching), 1 x slave output, 3 separate HVAC-blocs

Regulation of up to three lighting groups using offset (external influence possible)

Short presence, self-adjusting follow-up time, corridor function

Various locking functions

Soft-start

Two logic modules

Recall of light scenes

Deactivatable status indicators

Temperature- and noise sensor

The product database for import into the ETS database can be downloaded from the B.E.G. homepage.

Detection area can be extended thanks to master-slave-mode

Extensive optimization options for light measurement

Measured light value is communicated to the bus

Adaption of dimming curve

Bidirectionally remote control-capable with the IR adapter and the B.E.G. smartphone app

PIN code

IR remote control-capable via IR remote control (optionally)

5 button remote control, programmable at choice (accessory)

Programming button (phys. address) can be operated via remote control

HVAC mode (0=automatic, 1=comfort, 2=stand-by, 3=economy, 4=antifreeze/heat protection)

Manual influence via external KNX push buttons possible

Function control (heartbeat, cyclical sending)

Occupancy simulation

Forced switch-off

Intelligent central-off function

Premonition of switch-off

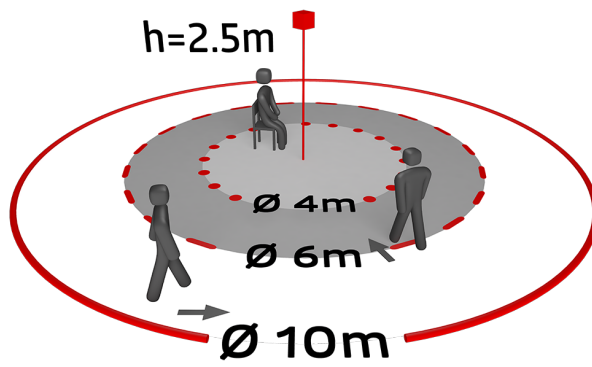
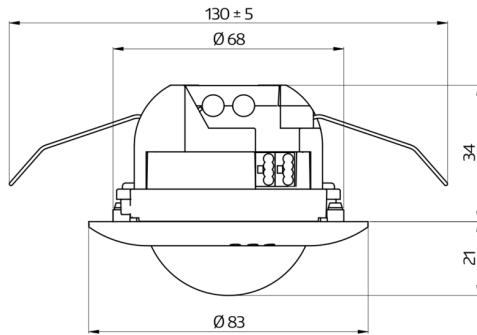
Burn-in function for fluorescent lamps selectable from 1h till 100h

Behaviour upon bus voltage return definable at choice

Variable safety pause after switching off the lights

**Typical applications:**

Offices, conference rooms, schools, nursery schools, hospitals



## Accessories



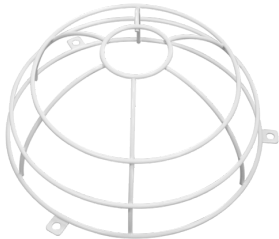
**BLE-IR-Adapter**  
Art.No: 93067

Dimensions: 40 x 55 x 103 mm  
Material color: black  
Frequency: 2.4 GHz ISM band, GFSK 0.2 dBm + 5.3 dBi = 5.5 dBm



**Cover ring PD2N FC**  
Art.No: 93773

Dimensions: Ø 82 x 13 mm  
Impact strength: IK05  
Housing: polycarbonate, UV-resistant



**Wire basket BSK (Ø 200 x 90 mm)**  
Art.No: 92199

Dimensions: Ø 200 x 90 mm  
Impact strength: IK09  
Housing: coated steel basket



**IR-PD-KNX**  
Art.No: 92123

Battery: 3.0 V Lithium CR2032 (inclusive)  
Dimensions: 80 x 60 x 8 mm  
Material color: -



**Cover ring PD2N FC**  
Art.No: 93772

Dimensions: Ø 82 x 13 mm  
Impact strength: IK05  
Housing: polycarbonate, UV-resistant



**Wall holder PD2N/4N Typ A**  
Art.No: 93164

Dimensions: 133 x 106 x 66 mm  
Degree / class of protection: IP54  
Housing: polycarbonate, UV-resistant



**IR-PD-KNX-Mini**  
Art.No: 93398

Battery: 3.0 V Lithium CR2032 (inclusive)  
Dimensions: 57 x 35 x 7 mm  
Material color: -



**Cover ring PD2N FC**  
Art.No: 93771

Dimensions: Ø 82 x 13 mm  
Impact strength: IK05  
Housing: polycarbonate, UV-resistant