



PD2N-BMS-FM DALI-2 Set 93544-93763

- Voltage: via DALI Bus, max. 22.5 V DC
- Dimensions: Ø 106 x 42 mm
- Settings: via DALI-Bus and application which supports DALI multisensors according to IEC62386, parts 101, 103, 303 and 304

Order data

Designation	Colour	Art.No
PD2N-BMS-FM DALI-2	white	93544
Cover ring PD2N FM	black	93763

Technical data

Voltage:	via DALI Bus, max. 22.5 V DC
Dimensions:	Ø 106 x 42 mm via DALI-Bus and application which supports DALI
Settings:	multisensors according to IEC62386, parts 101, 103, 303 and 304
Typ. power input:	7 mA
Settling time:	200 ms
Detection area:	horizontal 360° (Ceiling mounting) max. Ø 10 m across
Range:	max. Ø 6 m towards max. Ø 4 m seated
Monitored area (tangential movement):	78 m ² / 2.5 m mounting height
Mounting height min./max./recommended:	2 m / 5 m / 2.5 m
Degree / class of protection:	IP20 / Class II
Impact strength:	IK05
Measured light output:	0 - 4095 Lux, Mixed light measuring
Ambient temperature:	-25 °C to +55 °C
Housing:	polycarbonate, UV-resistant
Material color:	black mat, similar to RAL9005 (93763)

Product information

Set : PD2N-BMS-FM DALI-2 + Cover ring PD2N FM
black mat, similar to RAL9005

DALI-2 multisensor (input device)

DALI-2 certified product

Powered via DALI bus

Bright LED indication for commissioning

DALI multimaster technology according to IEC 62386 part 103

Instance 0 provides information regarding occupancy and
movement for the DALI-Bus according to IEC 62386 part 303

Instance 1 provides LUX values for the DALI-Bus according to
IEC 62386 part 304

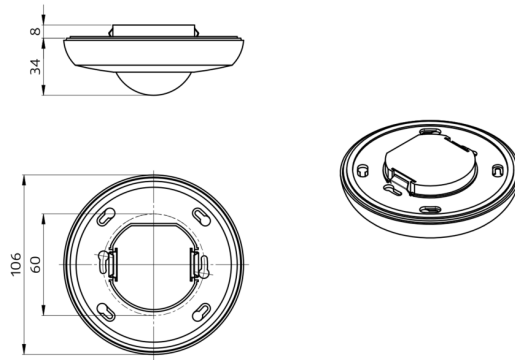
Parameterisation is possible via mandatory Multimaster-
Application-Controller of any manufacturer. This controller
must support IEC 62386 parts 101/103/303/304.

Mixed light measurement with internal and external light
sensor

Detection area can be restricted with blinds

Individual adaption of the PIR sensor sensitivity

Status LEDs can be activated / deactivated



Set items

To receive the bundle according to the technical specification, please order the items listed.



PD2N-BMS-FM DALI-2

Art.No: 93544

Voltage: via DALI Bus, max. 22.5 V DC

Dimensions: Ø 106 x 42 mm

Settings: via DALI-Bus and application which supports DALI multisensors according to IEC62386, parts 101, 103, 303 and 304



Cover ring PD2N FM

Art.No: 93763

Dimensions: Ø 106 x 20 mm

Impact strength: IK05

Housing: polycarbonate, UV-resistant