

B.E.G.**LUXOMAT[®]net**

PD2N-BMS-FM DALI-2 Set 93544-93752-93762

- Voltage: via DALI Bus, max. 22.5 V DC
- Dimensions: **Ø 106 x 42 mm + Ø 109 x 19 mm (93752)**
- Settings: via DALI-Bus and application which supports DALI multisensors according to IEC62386, parts 101, 103, 303 and 304

Order data

| Designation | Colour | Art.No |
|--|---------------|--------|
| PD2N-BMS-FM DALI-2 | white | 93544 |
| SM socle mounting set IP54 PD2N- / PD4N-FM | traffic white | 93752 |
| Cover ring PD2N FM | traffic white | 93762 |

Technical data

| | |
|---|---|
| Voltage: | via DALI Bus, max. 22.5 V DC |
| Dimensions: | Ø 106 x 42 mm + Ø 109 x 19 mm (93752) via DALI-Bus and application which supports DALI |
| Settings: | DALI multisensors according to IEC62386, parts 101, 103, 303 and 304 |
| Typ. power input: | 7 mA |
| Settling time: | 200 ms |
| Detection area: | horizontal 360° (Ceiling mounting) |
| Range: | max. Ø 10 m across max. Ø 6 m towards max. Ø 4 m seated |
| Monitored area (tangential movement): | 78 m ² / 2.5 m mounting height |
| Mounting height min./max./recommended: | 2 m / 5 m / 2.5 m |
| Degree / class of protection: | IP20 / Class II + IP54 (93752) |
| Impact strength: | IK05 |
| Measured light output: | 0 - 4095 Lux, Mixed light measuring |
| Ambient temperature: | -25 °C to +55 °C |
| Housing: | polycarbonate, UV-resistant |
| Material color: | traffic white mat, similar to RAL9016 (93762) |

Product information

Set : PD2N-BMS-FM DALI-2 + SM socle mounting set
IP54 PD2N- / PD4N-FM traffic white mat, similar to
RAL9016 + Cover ring PD2N FM traffic white mat,
similar to RAL9016

DALI-2 multisensor (input device)

DALI-2 certified product

Powered via DALI bus

Bright LED indication for commissioning

DALI multimaster technology according to IEC 62386 part 103

Instance 0 provides information regarding occupancy and
movement for the DALI-Bus according to IEC 62386 part 303

Instance 1 provides LUX values for the DALI-Bus according to
IEC 62386 part 304

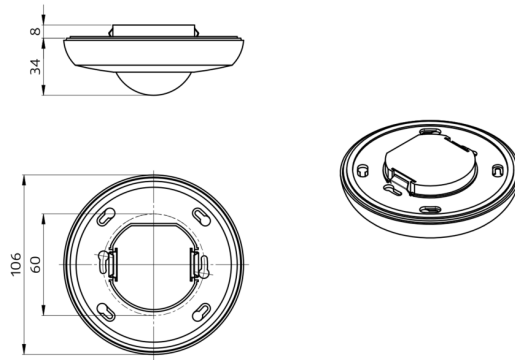
Parameterisation is possible via mandatory Multimaster-
Application-Controller of any manufacturer. This controller
must support IEC 62386 parts 101/103/303/304.

Mixed light measurement with internal and external light
sensor

Detection area can be restricted with blinds

Individual adaption of the PIR sensor sensitivity

Status LEDs can be activated / deactivated



Set items

To receive the bundle according to the technical specification, please order the items listed.



PD2N-BMS-FM DALI-2

Art.No: 93544

Voltage: via DALI Bus, max. 22.5 V DC
Dimensions: Ø 106 x 42 mm
Settings: via DALI-Bus and application which supports DALI multisensors according to IEC62386, parts 101, 103, 303 and 304



SM socle mounting set IP54 PD2N- / PD4N-FM

Art.No: 93752

Dimensions: Ø 109 x 19 mm
Degree / class of protection: IP54
Housing: polycarbonate, UV-resistant



Cover ring PD2N FM

Art.No: 93762

Dimensions: Ø 106 x 20 mm
Impact strength: IK05
Housing: polycarbonate, UV-resistant