

B.E.G.**LUXOMAT[®]net**

PD2N-BMS-FM DALI-2 Set 93544-93307

- Voltage: via DALI Bus, max. 22.5 V DC
- Dimensions: **Ø 106 x 42 mm + Ø 109 x 19 mm (93307)**
- Settings: via DALI-Bus and application which supports DALI multisensors according to IEC62386, parts 101, 103, 303 and 304

Order data

Designation

PD2N-BMS-FM DALI-2

SM socle mounting set IP54 PD2N- / PD4N-FM

Colour

white

white

Art.No

93544

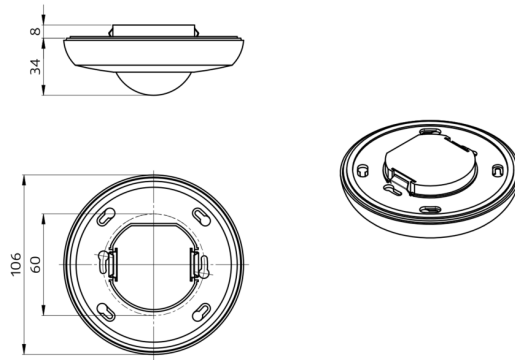
93307

Technical data

Voltage:	via DALI Bus, max. 22.5 V DC
Dimensions:	Ø 106 x 42 mm + Ø 109 x 19 mm (93307)
Settings:	via DALI-Bus and application which supports DALI multisensors according to IEC62386, parts 101, 103, 303 and 304
Typ. power input:	7 mA
Settling time:	200 ms
Detection area:	horizontal 360° (Ceiling mounting) max. Ø 10 m across max. Ø 6 m towards max. Ø 4 m seated
Range:	
Monitored area (tangential movement):	78 m ² / 2.5 m mounting height
Mounting height min./max./recommended:	2 m / 5 m / 2.5 m
Degree / class of protection:	IP20 / Class II + IP54 (93307)
Impact strength:	IK05
Measured light output:	0 - 4095 Lux, Mixed light measuring
Ambient temperature:	-25 °C to +55 °C
Housing:	polycarbonate, UV-resistant
Material color:	white, similar to RAL9010 (93307)

Product information

Set : PD2N-BMS-FM DALI-2 + SM socle mounting set IP54 PD2N- / PD4N-FM white, similar to RAL9010
DALI-2 multisensor (input device)
DALI-2 certified product
Powered via DALI bus
Bright LED indication for commissioning
DALI multimaster technology according to IEC 62386 part 103
Instance 0 provides information regarding occupancy and movement for the DALI-Bus according to IEC 62386 part 303
Instance 1 provides LUX values for the DALI-Bus according to IEC 62386 part 304
Parameterisation is possible via mandatory Multimaster- Application-Controller of any manufacturer. This controller must support IEC 62386 parts 101/103/303/304.
Mixed light measurement with internal and external light sensor
Detection area can be restricted with blinds
Individual adaption of the PIR sensor sensitivity
Status LEDs can be activated / deactivated



Set items

To receive the bundle according to the technical specification, please order the items listed.



PD2N-BMS-FM DALI-2

Art.No: 93544

Voltage: via DALI Bus, max. 22.5 V DC

Dimensions: Ø 106 x 42 mm

Settings: via DALI-Bus and application which supports DALI multisensors according to IEC62386, parts 101, 103, 303 and 304



SM socle mounting set IP54 PD2N- / PD4N-FM

Art.No: 93307

Dimensions: Ø 109 x 19 mm

Degree / class of protection: IP54

Material color: white, similar to RAL9010