

**B.E.G.****LUXOMAT<sup>®</sup>net**

## PD2N-BMS-FM DALI-2

Prod.No. 93544 EAN: 4007529935444

- Voltage: via DALI Bus, max. 22.5 V DC
- Dimensions: Ø 106 x 42 mm
- Settings: via DALI-Bus and application which supports DALI multisensors according to IEC62386, parts 101, 103, 303 and 304

### Order data

Designation	Colour	Art.No
PD2N-BMS-FM DALI-2	white	93544

### Accessories

Designation	Colour	Art.No
SM socle mounting set IP54 PD2N- / PD4N-FM	black	93753
SM socle mounting set IP54 PD2N- / PD4N-FM	traffic white	93752
SM socle mounting set IP54 PD2N- / PD4N-FM	anthracite	93751
SM socle mounting set IP54 PD2N- / PD4N-FM	white	93307
Cover ring PD2N FM	black	93763
Cover ring PD2N FM	traffic white	93762
Cover ring PD2N FM	anthracite	93761
Wire basket BSK (Ø 200 x 90 mm)	white	92199

## Technical data

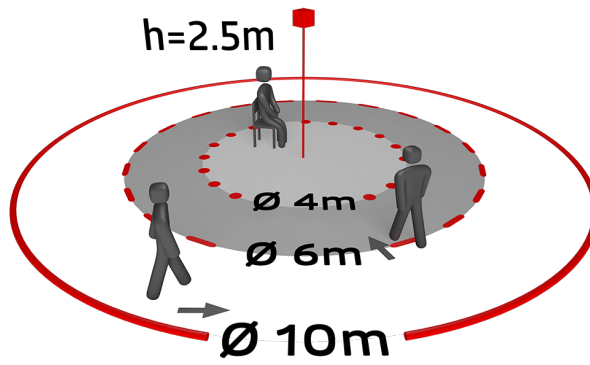
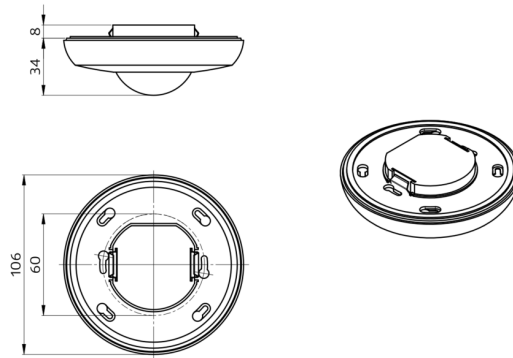
Voltage:	via DALI Bus, max. 22.5 V DC
Dimensions:	Ø 106 x 42 mm via DALI-Bus and application which supports DALI
Settings:	multisensors according to IEC62386, parts 101, 103, 303 and 304
Typ. power input:	7 mA
Settling time:	200 ms
Detection area:	horizontal 360° (Ceiling mounting) max. Ø 10 m across
Range:	max. Ø 6 m towards max. Ø 4 m seated
Monitored area (tangential movement):	78 m <sup>2</sup> / 2.5 m mounting height
Mounting height min./max./recommended:	2 m / 5 m / 2.5 m
Degree / class of protection:	IP20 / Class II
Impact strength:	IK05
Measured light output:	0 - 4095 Lux, Mixed light measuring
Ambient temperature:	-25 °C to +55 °C
Housing:	polycarbonate, UV-resistant
Material color:	white, similar to RAL9010

## Product information

DALI-2 multisensor (input device)
DALI-2 certified product
Powered via DALI bus
Bright LED indication for commissioning
DALI multimaster technology according to IEC 62386 part 103
Instance 0 provides information regarding occupancy and movement for the DALI-Bus according to IEC 62386 part 303
Instance 1 provides LUX values for the DALI-Bus according to IEC 62386 part 304
Parameterisation is possible via mandatory Multimaster-Application-Controller of any manufacturer. This controller must support IEC 62386 parts 101/103/303/304.
Mixed light measurement with internal and external light sensor
Detection area can be restricted with blinds
Individual adaption of the PIR sensor sensitivity
Status LEDs can be activated / deactivated

### Application examples:

staircases, small offices, open-plan offices, conference rooms, classrooms/seminar rooms



## Accessories



### SM socle mounting set IP54 PD2N- / PD4N-FM

Art.No: 93753

Dimensions: Ø 109 x 19 mm  
Degree / class of protection: IP54  
Housing: polycarbonate, UV-resistant



### SM socle mounting set IP54 PD2N- / PD4N-FM

Art.No: 93752

Dimensions: Ø 109 x 19 mm  
Degree / class of protection: IP54  
Housing: polycarbonate, UV-resistant



### SM socle mounting set IP54 PD2N- / PD4N-FM

Art.No: 93751

Dimensions: Ø 109 x 19 mm  
Degree / class of protection: IP54  
Housing: polycarbonate, UV-resistant



### SM socle mounting set IP54 PD2N- / PD4N-FM

Art.No: 93307

Dimensions: Ø 109 x 19 mm  
Degree / class of protection: IP54  
Material color: white, similar to RAL9010



### Cover ring PD2N FM

Art.No: 93763

Dimensions: Ø 106 x 20 mm  
Impact strength: IK05  
Housing: polycarbonate, UV-resistant



### Cover ring PD2N FM

Art.No: 93762

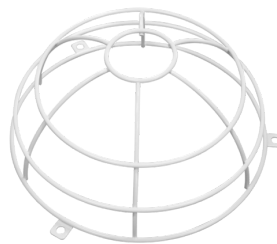
Dimensions: Ø 106 x 20 mm  
Impact strength: IK05  
Housing: polycarbonate, UV-resistant



### Cover ring PD2N FM

Art.No: 93761

Dimensions: Ø 106 x 20 mm  
Impact strength: IK05  
Housing: polycarbonate, UV-resistant



### Wire basket BSK (Ø 200 x 90 mm)

Art.No: 92199

Dimensions: Ø 200 x 90 mm  
Impact strength: IK09  
Housing: coated steel basket