

B.E.G.

LUXOMAT®



PD2-S-FC Set 92166-93085

- Voltage: 110 - 240 V AC 50 / 60 Hz
- Dimensions: Ø 80 x 85 mm
- Power consumption: approx. 0.2 W

Order data

Designation	Colour	Art.No
PD2-S-FC	white	92166
Cover ring PD2/PD3 FC		93085

Technical data

Voltage:	110 - 240 V AC 50 / 60 Hz
Dimensions:	Ø 80 x 85 mm
Power consumption:	approx. 0.2 W
Detection area:	horizontal 360° (Ceiling mounting) max. Ø 10 m across max. Ø 6 m towards max. Ø 4 m seated
Range:	
Monitored area (tangential movement):	78 m ² / 2.5 m mounting height
Mounting height min./max./recommended:	2 m / 5 m / 2.5 m
Degree / class of protection:	IP20 / Class II
Impact strength:	IK05
Ambient temperature:	-25 °C to +50 °C
Housing:	polycarbonate, UV-resistant
Material color:	jet black glossy, similar to RAL9005 (93085)
Pulse interval:	2 or 9 sec

Product information

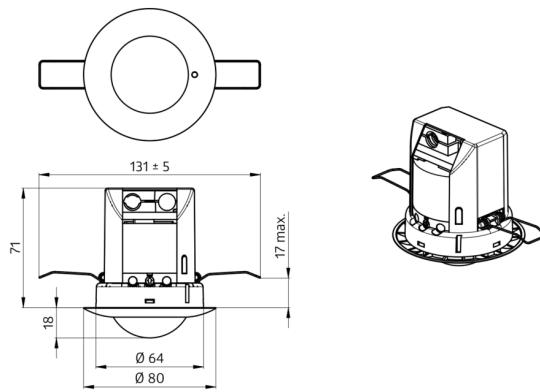
Set : PD2-S-FC + Cover ring PD2/PD3 FC jet black glossy, similar to RAL9005

Slave device detector with circular detection area

For extending the detection area of a Master device

Trigger pulse to master device upon detected movement independent of the ambient light level

Compatible with 230 V devices. Concerning exceptions please see the respective master device.



Set items

To receive the bundle according to the technical specification, please order the items listed.



PD2-S-FC

Art.No: 92166

Voltage: 110 – 240 V AC 50 / 60 Hz

Dimensions: Ø 80 x 85 mm

Power consumption: approx. 0.2 W



Cover ring PD2/PD3 FC

Art.No: 93085

Dimensions: Ø 84 x 9 mm

Housing: polycarbonate, UV-resistant

Material color: jet black glossy, similar to RAL9005