

B.E.G.**LUXOMAT®**

PD11-M-DACO-FLAT DALI-2

Prod.No. 93459 EAN: 4007529934591

- Voltage: 230 V AC \pm 10% 50 Hz
- Dimensions: Sensor head: \varnothing 43 x 48 mm,
Power supply: 240 x 26 x 26 mm
- Power consumption: approx. 2 W

Areas of application

- small offices
- open-plan offices

Order data

Designation	Colour	Art.No
PD11-M-DACO-FLAT DALI-2	white	93459

Accessories

Designation	Colour	Art.No
BLE-IR-Adapter	black	93067
IR-Adapter for Smartphones	black	92726
IR-PD-DALI	-	92094
IR-PD-DALI-LD	-	92652
IR-PD-DALI-E	-	92122
IR-PD-DALI-Mini	-	92112
Cover ring PD11 (52 mm)	black	92537
Cover ring PD11	white	92692
Square design frame PD11-FC	white	92994

Technical data

Voltage:	230 V AC \pm 10% 50 Hz
Dimensions:	Sensor head: \emptyset 43 x 48 mm, Power supply: 240 x 26 x 26 mm
Power consumption:	approx. 2 W
Slave devices:	up to 8
Detection area:	horizontal 360° (Ceiling mounting) max. \emptyset 9 m across max. \emptyset 6 m towards max. \emptyset 3 m seated
Range:	
Monitored area (tangential movement):	63 m ² / 2.5 m mounting height
Mounting height min./max./recommended:	2 m / 5 m / 2.5 m
Degree / class of protection:	IP20 / Class II
Impact strength:	IK02
Ambient temperature:	-25 °C to +50 °C
Housing:	polycarbonate, UV-resistant
Material color:	white mat, similar to RAL9010
Cable length:	50 cm
Channel 1 (lighting control)	
DALI output:	80 mA (guaranteed), 125 mA (max.), shut down mechanism
Supported control gear:	DT0, DT5, DT6, DT7
Supported control devices:	- (single master)
Follow-up time:	1 min - 150 min
Orientation light:	10 - 30 % / OFF / 5 min - 60 min / ∞
Brightness set value:	10 - 2500 Lux
Light measuring:	Mixed light measuring

Product information

Occupancy detector with integrated DALI application controller for energy-efficient lighting control
DALI-2 certified product
Integrated DALI power supply
DALI interface for controlling digital, dimmable ECGs in broadcast mode
Manual switching or dimming via conventional pushbuttons
Bidirectional IR communication enables fast integration into the project management function of the B.E.G. One app
Complete range of functions can only be activated using the BLE-IR-Adapter and a compatible Smartphone or Tablet (Android, iOS).
Semi-automatic, full automatic, presence-independent or light-independent mode adjustable
Adjustable regulation dynamics (minimum and maximum values)
Adjustable speed and delay of the regulation
Single master version, not networkable
Detection area can be extended by using slave devices
Measuring of mixed light thanks to internal light sensor
DALI output power can be increased with accessories
Integrated daylight harvesting circuit (or switch output)
Adjustable switch-on value
Last value - Reminder function for switch-on value
Adjustable brightness set value and reflection factor
Indication of the current light sensor value in the B.E.G. One App
Self-check and display of device errors in the B.E.G. One App
Status LEDs can be activated / deactivated
PIN code
Corridor function - Deactivates the possibility to switch off the light via the push-button
Number of DALI participants can be determined quickly and reliably via the B.E.G. Online DALI Line Planner
Software is backwards compatible with the first generation (except DSI, double lock and corridor function)
Factory setting 10 min follow-up time and 500 lux brightness set value

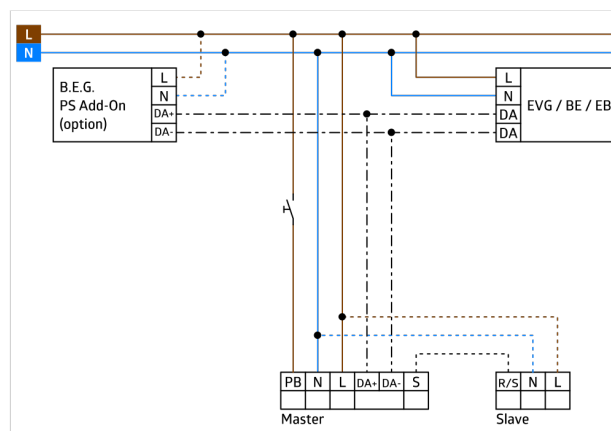
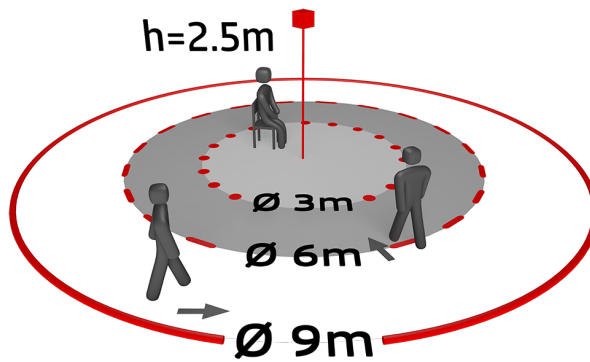
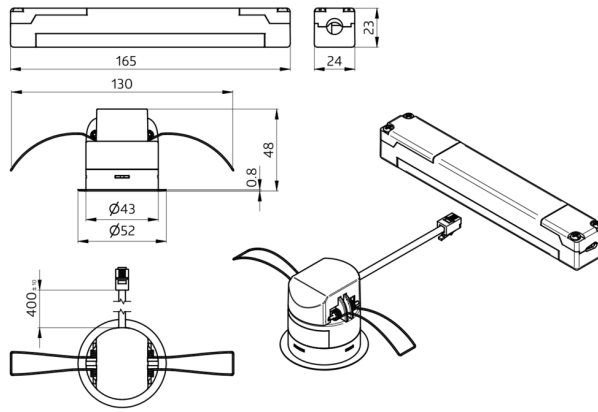
Spring clips for quick and easy installation in suspended ceilings and light fittings

Includes blinds and clamp ring for installation into light fittings

Accessory for surface mounting available

Application examples:

small offices, open-plan offices



Accessories



BLE-IR-Adapter
Art.No: 93067

Dimensions: 40 x 55 x 103 mm
Material color: black
Frequency: 2.4 GHz ISM band, GFSK
0.2 dBm + 5.3 dBi = 5.5 dBm



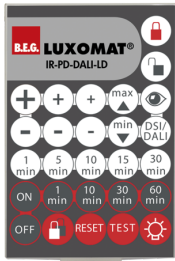
IR-Adapter for Smartphones
Art.No: 92726

Dimensions: 47 x 19 x 10 mm
Degree / class of protection: IP20
Ambient temperature: -20 °C to +40 °C



IR-PD-DALI
Art.No: 92094

Battery: 3.0 V Lithium CR2032 (inclusive)
Dimensions: 80 x 60 x 8 mm
Material color: -



IR-PD-DALI-LD
Art.No: 92652

Battery: 3 x 1.5 V Micro AAA (not included)
Dimensions: 83 x 53 x 17 mm
Material color: -



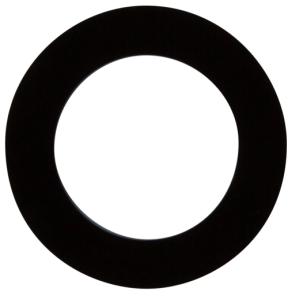
IR-PD-DALI-E
Art.No: 92122

Battery: 3.0 V Lithium CR2032 (inclusive)
Dimensions: 80 x 60 x 8 mm
Material color: -



IR-PD-DALI-Mini
Art.No: 92112

Battery: 3.0 V Lithium CR2032 (inclusive)
Dimensions: 57 x 35 x 7 mm
Material color: -



Cover ring PD11 (52 mm)
Art.No: 92537

Dimensions: Ø 52 x 3 mm
Housing: polycarbonate, UV-resistant
Material color: black glossy, similar to RAL9011



Cover ring PD11
Art.No: 92692

Dimensions: Ø 100 x 3 mm
Housing: polycarbonate, UV-resistant
Material color: white mat, similar to RAL9010



Square design frame PD11-FC
Art.No: 92994

Dimensions: 54 x 54 x 2.6 mm
Housing: polycarbonate, UV-resistant
Material color: white mat, similar to RAL9010