



LC-Mini 120-BMS DALI-2 Set 93541-92467

- Voltage: via DALI Bus, max. 22.5 V DC
- Dimensions: **Ø 164 x 143 mm (92467)**
- Settings: via DALI-Bus and application which supports DALI multisensors according to IEC62386, parts 101, 103, 303 and 304

Order data

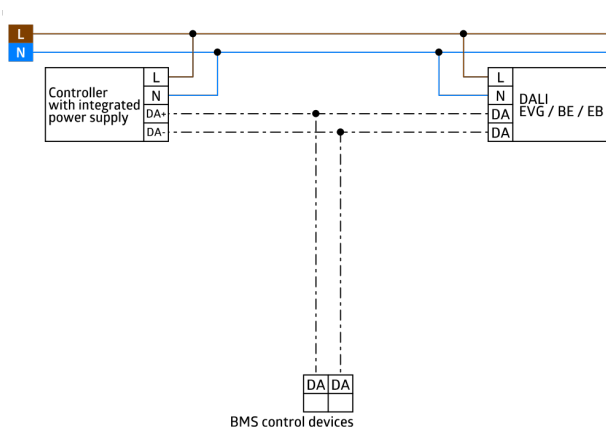
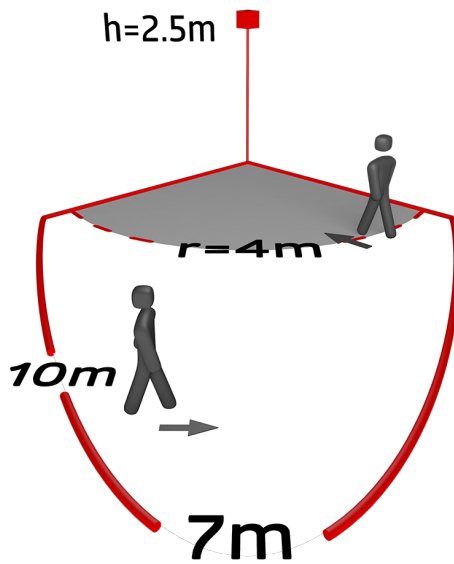
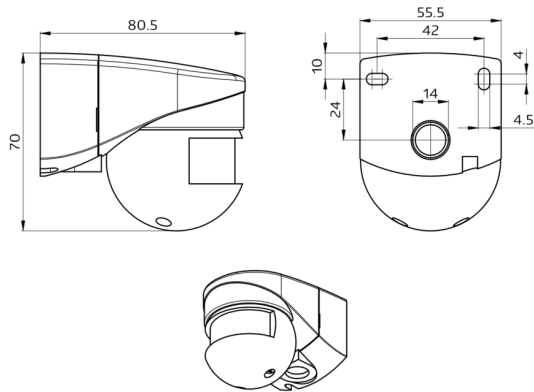
Designation	Colour	Art.No
LC-Mini 120-BMS DALI-2	white	93541
Wire basket BSK (Ø 164 x 143 mm)	white	92467

Technical data

Voltage:	via DALI Bus, max. 22.5 V DC
Dimensions:	Ø 164 x 143 mm (92467) via DALI-Bus and application which supports DALI
Settings:	multisensors according to IEC62386, parts 101, 103, 303 and 304
Typ. power input:	7 mA
Settling time:	200 ms
Power consumption:	approx. 0.5 W
Detection area:	horizontal 120° (Wall mounting) max. 10 m across
Range:	max. 4 m towards
Monitored area (tangential movement):	100 m ² / 2.5 m mounting height
Mounting height min./max./recommended:	2 m / 3 m / 2.5 m
Degree / class of protection:	IP44 / Class II
Measured light output:	0 - 4095 Lux, Mixed light measuring
Ambient temperature:	-25 °C to +50 °C
Housing:	polycarbonate, UV-resistant + coated steel basket (92467)
Material color:	white mat, similar to RAL9010

Product information

Set : LC-Mini 120-BMS DALI-2 + Wire basket BSK (Ø
164 x 143 mm) white



Set items

To receive the bundle according to the technical specification, please order the items listed.



LC-Mini 120-BMS DALI-2

Art.No: 93541

Voltage: via DALI Bus, max. 22.5 V DC

Dimensions: 80 x 70 x 55 mm

Settings: via DALI-Bus and application which supports DALI multisensors according to IEC62386, parts 101, 103, 303 and 304



Wire basket BSK (Ø 164 x 143 mm)

Art.No: 92467

Dimensions: Ø 164 x 143 mm

Impact strength: IK09

Housing: coated steel basket