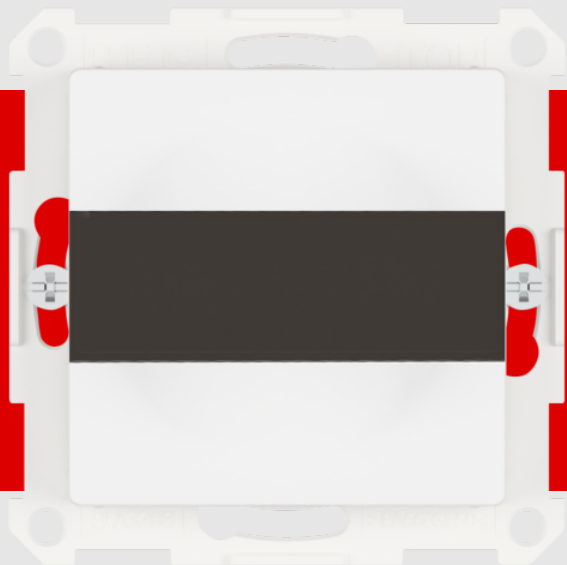


**B.E.G.****LUXOMAT®**

## IndoorHF-1C

Prod.No. 93261 EAN: 4007529932610

- Voltage: 230 V AC 10% 50 / 60 Hz
- Dimensions: 55 x 55 x 36 mm
- Power consumption: approx. 0.2 W

### Areas of application

- entrance halls
- corridors/hallways
- staircases
- toilets
- equipment rooms

### Order data

Designation	Colour	Art.No
IndoorHF-1C	traffic white	93261

### Accessories

Designation	Colour	Art.No
RC-Arc extinction kit	white	10880
Mini-RC-Arc extinction kit		10882
BLE-IR-Adapter	black	93067

## Technical data

Voltage:	230 V AC 10% 50 / 60 Hz
Dimensions:	55 x 55 x 36 mm
Power consumption:	approx. 0.2 W
Detection area:	horizontal 180° (Wall mounting) max. 8 m x 4 m across
Range:	max. 8 m x 4 m towards
Monitored area (tangential movement):	32 m <sup>2</sup> / 1.1 m mounting height
Mounting height min./max./recommended:	1 m / 1.2 m / 1.1 m
Degree / class of protection:	IP20 / Class II
Impact strength:	IK05
Ambient temperature:	5 °C to +50 °C
Housing:	polycarbonate, UV-resistant traffic white
Material color:	mat, similar to RAL9016

### Channel 1 (lighting control)

Switching power:	2300 W, $\cos \varphi$ = 1 1150 VA, $\cos \varphi$ = 0.5 800 W LED max. inrush current $I_p$ (20 ms) = 165 A
Type of contact (k):	1x $\mu$ -contact, NO contact
Follow-up time:	10 sec - 18 h
Brightness set value:	10 - 2500 Lux

## Product information

Wall-mounted presence detector with HF technology

Relay version with three-wire technology

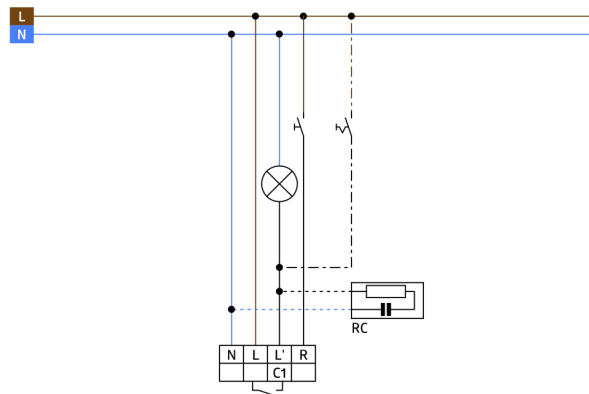
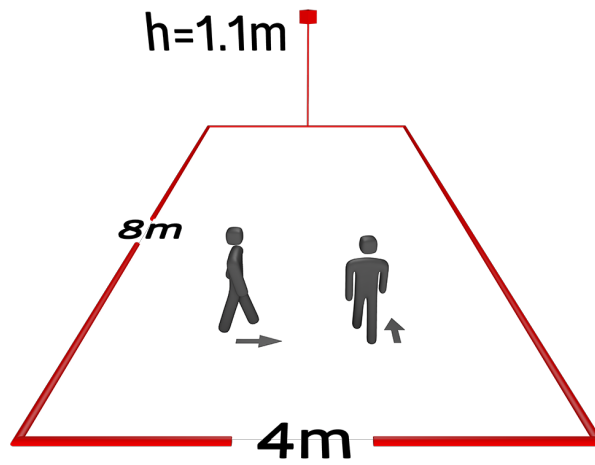
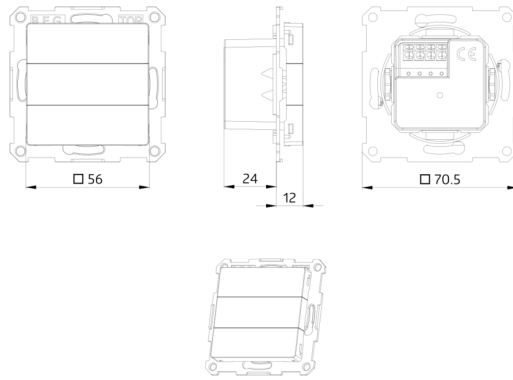
Manual switching via push-button possible

Available without frame for combination with cover frame  
(inner cover dimensions 55 x 55 mm)

Factory setting 10 min follow-up time and 500 lux brightness  
set value

### Application examples:

entrance halls, corridors/hallways, staircases, toilets,  
equipment rooms



## Accessories



**RC-Arc extinction kit**  
Art.No: 10880

Voltage: 230 V AC  $\pm 10\%$   
Dimensions: 38 x 12 x 26 mm  
Degree / class of protection: IP20 /  
Class II



**Mini-RC-Arc extinction kit**  
Art.No: 10882

Voltage: 230 V AC  $\pm 10\%$   
Dimensions: 50 x 23 x 8 mm  
Degree / class of protection: IP20 /  
Class II



**BLE-IR-Adapter**  
Art.No: 93067

Dimensions: 40 x 55 x 103 mm  
Material color: black  
Frequency: 2.4 GHz ISM band, GFSK 0.2  
dBm + 5.3 dBi = 5.5 dBm