

B.E.G.**LUXOMAT®**

Indoor180N-1C

Prod.No. 93262 EAN: 4007529932627

- Voltage: 230 V AC 10% 50 / 60 Hz
- Dimensions: 55 x 55 x 55 mm
- Power consumption: approx. 0.2 W

Order data

Designation	Colour	Art.No
Indoor180N-1C	traffic white	93262

Accessories

Designation	Colour	Art.No
RC-Arc extinction kit	white	10880
Mini-RC-Arc extinction kit		10882
BLE-IR-Adapter	black	93067

Technical data

Voltage:	230 V AC 10% 50 / 60 Hz
Dimensions:	55 x 55 x 55 mm
Power consumption:	approx. 0.2 W
Detection area:	horizontal 180° (Wall mounting) max. 14 m across
Range:	max. 3 m towards
Monitored area (tangential movement):	300 m ² / 1.1 m mounting height
Mounting height min./max./recommended:	1 m / 4 m / 1.1 m
Degree / class of protection:	IP20 / Class II
Impact strength:	IK05
Ambient temperature:	5 °C to +50 °C
Housing:	polycarbonate, UV-resistant traffic white
Material color:	glossy, similar to RAL9016

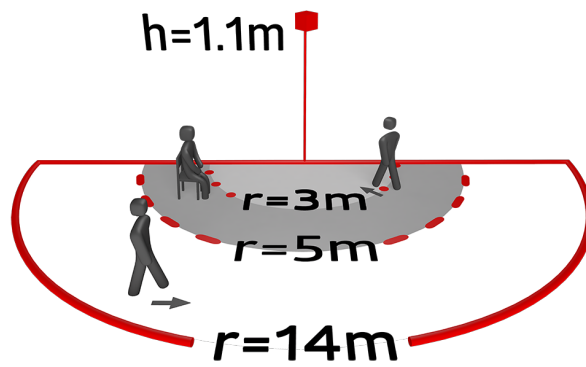
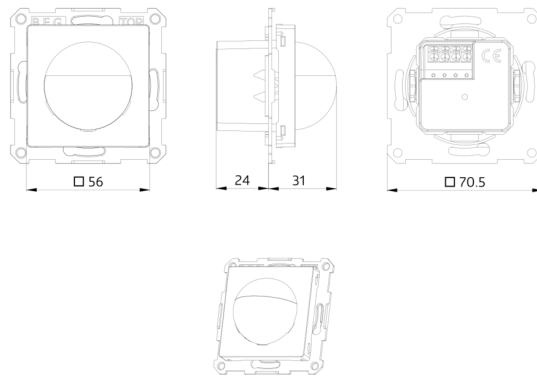
Channel 1 (lighting control)

Switching power:	2300 W, $\cos \varphi$ = 1 1150 VA, $\cos \varphi$ = 0.5 800 W LED max. inrush current I_p (20 ms) = 165 A
Type of contact (k):	1x μ -contact, NO contact
Follow-up time:	10 sec - 18 h
Switch-on threshold:	10 - 2500 Lux

Product information

Wall motion detector with acoustic sensor
Relay version with three-wire technology
Acoustic sensor independently adjustable
Noise automatically extends follow-up time
Manual switching via push-button possible
Available without frame for combination with cover frame (inner cover dimensions 55 x 55 mm)
Factory settings 10 min and 500 lux

Application examples: monitoring of public lavatories, corridors, archive rooms, conference rooms



Accessories



RC-Arc extinction kit
Art.No: 10880

Voltage: 230 V AC $\pm 10\%$
Dimensions: 38 x 12 x 26 mm
Degree / class of protection: IP20 /
Class II



Mini-RC-Arc extinction kit
Art.No: 10882

Voltage: 230 V AC $\pm 10\%$
Dimensions: 50 x 23 x 8 mm
Degree / class of protection: IP20 /
Class II



BLE-IR-Adapter
Art.No: 93067

Dimensions: 40 x 55 x 103 mm
Material color: black
Frequency: 2.4 GHz ISM band, GFSK 0.2
dBm + 5.3 dBi = 5.5 dBm