

B.E.G.**LUXOMAT®**

Indoor 180-R-2D covering included

Prod.No. 92616 EAN: 4007529926169

- Voltage: 110 – 240 V AC 50 / 60 Hz
5 x NiMH / 30 AAAA
1.2 V / 200 mAh
- Dimensions: 87 x 87 x 61 mm
- Power consumption: approx. 1.3 W

Areas of application

- staircases

Order data

Designation	Colour	Art.No
Indoor 180-R-2D covering included	pure white	92616

Accessories

Designation	Colour	Art.No
Blind Indoor 180		33233
RC-Arc extinction kit	white	10880
Mini-RC-Arc extinction kit		10882
Frame IP20 Indoor 180	pure white	92630
Frame IP20 Indoor 180	traffic white	92631
Frame IP20 Indoor 180	anthracite	92634
Frame IP54 Indoor 180	pure white	92139
Frame IP20 Indoor 180	oyster white	92632
Frame IP20 Indoor 180	silver	92633
Surface mounting socket Indoor 180	pure white	92141
Central plate Indoor 180 45x45	traffic white	38947
Central plate Indoor 180 45x45	oyster white	39076
Central plate Indoor 180 55 x 55 mm	pure white	39222

Technical data

Voltage:	110 - 240 V AC 50 / 60 Hz 5 x NiMH / 30 AAAA 1.2 V / 200 mAh
Dimensions:	87 x 87 x 61 mm
Power consumption:	approx. 1.3 W
Detection area:	horizontal 180° (Wall mounting) max. 10 m across max. 3 m towards
Range:	150 m ² / 1.1 m mounting height
Monitored area (tangential movement):	1 m / 2.2 m / 1.1 m
Mounting height min./max./recommended:	IP20 / Class II
Degree / class of protection:	IK05
Impact strength:	+5 °C to +45 °C
Ambient temperature:	polycarbonate, UV-resistant
Housing:	pure white mat, similar to RAL9010
Material color:	

Channel 1 (lighting control)

Switching power:	2300 W, cos φ = 1 (at < 40 W added arc extinction kit required) 1150 VA, cos φ = 0.5(< 4 ballasts, added arc extinction kit required) not suitable for : LED loads
Type of contact (k):	1x μ -contact, NO contact with tungsten pre- make contact
Follow-up time:	15 sec - 16 min, Pulse
Switch-on threshold:	2 - 2000 Lux

Product information

Wall motion detector with acoustic sensor

Relay version with 2-wire technology thanks to inbuilt battery

Acoustic sensor independently adjustable

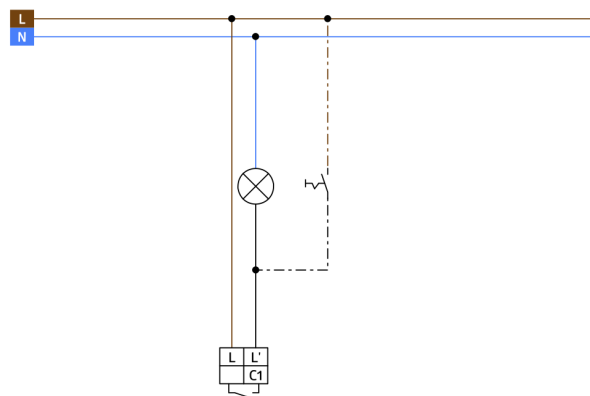
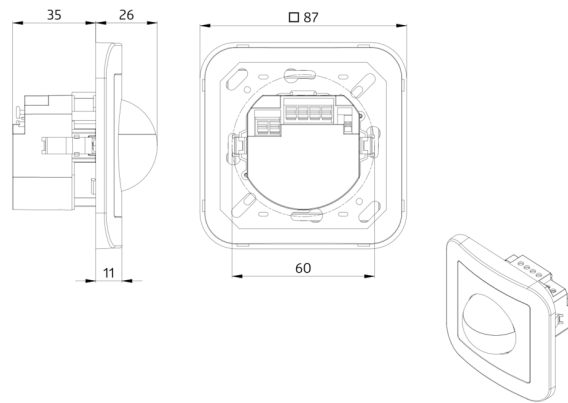
Noise automatically extends follow-up time

With already mounted frame

B.E.G. frames and centre plates for combination with other
frame systems available

Application examples:

staircases



Accessories



Blind Indoor 180
Art.No: 33233

Housing: polycarbonate, UV-resistant
Material color: white



RC-Arc extinction kit
Art.No: 10880

Voltage: 230 V AC $\pm 10\%$
Dimensions: 38 x 12 x 26 mm
Degree / class of protection: IP20 / Class II



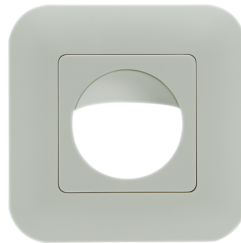
Mini-RC-Arc extinction kit
Art.No: 10882

Voltage: 230 V AC $\pm 10\%$
Dimensions: 50 x 23 x 8 mm
Degree / class of protection: IP20 / Class II



Frame IP20 Indoor 180
Art.No: 92630

Dimensions: 86 x 86 mm
Degree / class of protection: IP20
Housing: polycarbonate, UV-resistant



Frame IP20 Indoor 180
Art.No: 92631

Dimensions: 86 x 86 mm
Degree / class of protection: IP20
Housing: polycarbonate, UV-resistant



Frame IP20 Indoor 180
Art.No: 92634

Dimensions: 86 x 86 mm
Degree / class of protection: IP20
Housing: polycarbonate, UV-resistant



Frame IP54 Indoor 180
Art.No: 92139

Dimensions: 87 x 87 mm
Degree / class of protection: IP54
Housing: polycarbonate, UV-resistant



Frame IP20 Indoor 180
Art.No: 92632

Dimensions: 86 x 86 mm
Degree / class of protection: IP20
Housing: polycarbonate, UV-resistant



Frame IP20 Indoor 180
Art.No: 92633

Dimensions: 86 x 86 mm
Degree / class of protection: IP20
Housing: polycarbonate, UV-resistant



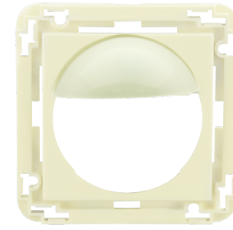
Surface mounting socket Indoor 180
Art.No: 92141

Dimensions: 88 x 88 x 42 mm
Degree / class of protection: IP54
Impact strength: IK05



Central plate Indoor 180 45x45
Art.No: 38947

Dimensions: 45 x 45 mm
Material color: traffic white mat, similar to RAL9016



Central plate Indoor 180 45x45
Art.No: 39076

Dimensions: 45 x 45 mm
Housing: polycarbonate, UV-resistant
Material color: oyster white mat, similar to RAL1013



Central plate Indoor 180 55 x 55 mm
Art.No: 39222

Dimensions: 55 x 55 mm
Housing: polycarbonate, UV-resistant
Material color: pure white glossy, similar to RAL9010