

## Indoor 180-BMS DALI-2 covering not included

Prod.No. 93540 EAN: 4007529935406

- Voltage: via DALI Bus, max. 22.5 V DC
- Dimensions: 70 x 70 x 61 mm
- Settings: via DALI-Bus and application which supports DALI multisensors according to IEC62386, parts 101, 103, 303 and 304

### Order data

Designation	Colour	Art.No
Indoor 180-BMS DALI-2 covering not included	white	93540

### Accessories

Designation	Colour	Art.No
Frame IP20 Indoor 180	pure white	92630
Frame IP20 Indoor 180	traffic white	92631
Frame IP20 Indoor 180	anthracite	92634
Frame IP54 Indoor 180	pure white	92139
Frame IP20 Indoor 180	oyster white	92632
Frame IP20 Indoor 180	silver	92633
Surface mounting socket Indoor 180	pure white	92141
Central plate Indoor 180 45x45	traffic white	38947
Central plate Indoor 180 45x45	oyster white	39076
Central plate Indoor 180 55 x 55 mm	pure white	39222
Central plate Indoor 180 55 x 55 mm	signal white	39241
Central plate Indoor 180 55x55	traffic white	39242

Central plate Indoor 180 S1 56x56	pure white	35126
Central plate Indoor 180 56x56 modular2	pure white	35127
Blinds Indoor 180 transparent		92294
Blind Indoor 180		33233

## Technical data

Voltage:	via DALI Bus, max. 22.5 V DC
Dimensions:	70 x 70 x 61 mm
Settings:	via DALI-Bus and application which supports DALI multisensors according to IEC62386, parts 101, 103, 303 and 304
Typ. power input:	7 mA
Settling time:	200 ms
Power consumption:	approx. 0.5 W
Detection area:	horizontal 180° (Wall mounting) max. 10 m across max. 3 m towards
Range:	150 m <sup>2</sup> / 1.1 m mounting height
Monitored area (tangential movement):	1 m / 2.2 m / 1.1 m
Mounting height min./max./recommended:	IP20 / Class II
Degree / class of protection:	IK05
Impact strength:	0 - 4095 Lux, Mixed light measuring
Measured light output:	-25 °C to +55 °C
Ambient temperature:	polycarbonate, UV-resistant
Housing:	white mat, similar to RAL9010
Material color:	

## Product information

DALI-2 multisensor (input device), especially for installation in walls

DALI-2 certified product

Powered via DALI bus

DALI multimaster technology according to IEC 62386 part 103

Instance 0 provides information regarding occupancy and movement for the DALI-Bus according to IEC 62386 part 303

Instance 1 provides LUX values for the DALI-Bus according to IEC 62386 part 304

Parameterisation is possible via mandatory Multimaster-Application-Controller of any manufacturer. This controller must support IEC 62386 parts 101/103/303/304.

Measuring of mixed light thanks to internal light sensor

Detection area can be restricted with blinds

For use with covering (interior cover dimensions 50 x 50 mm) in 5 different colours

In combination with centre plates usable with current frame systems of various manufacturers

B.E.G. frames and centre plates for combination with other frame systems available

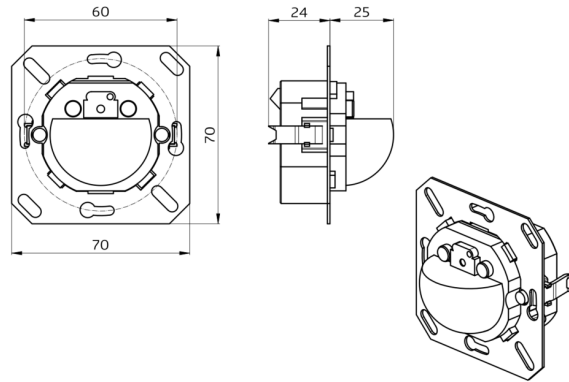
Please order cover frame separately, available in various colours

Individual adaption of the PIR sensor sensitivity

Status LEDs can be activated / deactivated

### Application examples:

underground car parks, entrance halls, corridors/hallways, staircases, toilets, equipment rooms



## Accessories



**Frame IP20 Indoor 180**  
Art.No: 92630

Dimensions: 86 x 86 mm  
Degree / class of protection: IP20  
Housing: polycarbonate, UV-resistant



**Frame IP20 Indoor 180**  
Art.No: 92631

Dimensions: 86 x 86 mm  
Degree / class of protection: IP20  
Housing: polycarbonate, UV-resistant



**Frame IP20 Indoor 180**  
Art.No: 92634

Dimensions: 86 x 86 mm  
Degree / class of protection: IP20  
Housing: polycarbonate, UV-resistant



**Frame IP54 Indoor 180**  
Art.No: 92139

Dimensions: 87 x 87 mm  
Degree / class of protection: IP54  
Housing: polycarbonate, UV-resistant



**Frame IP20 Indoor 180**  
Art.No: 92632

Dimensions: 86 x 86 mm  
Degree / class of protection: IP20  
Housing: polycarbonate, UV-resistant



**Frame IP20 Indoor 180**  
Art.No: 92633

Dimensions: 86 x 86 mm  
Degree / class of protection: IP20  
Housing: polycarbonate, UV-resistant



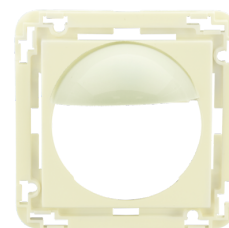
**Surface mounting socket Indoor 180**  
Art.No: 92141

Dimensions: 88 x 88 x 42 mm  
Degree / class of protection: IP54  
Impact strength: IK05



**Central plate Indoor 180 45x45**  
Art.No: 38947

Dimensions: 45 x 45 mm  
Material color: traffic white mat,  
similar to RAL9016



**Central plate Indoor 180 45x45**  
Art.No: 39076

Dimensions: 45 x 45 mm  
Housing: polycarbonate, UV-resistant  
Material color: oyster white mat,  
similar to RAL1013



**Central plate Indoor 180 55 x 55 mm**

Art.No: 39222

Dimensions: 55 x 55 mm  
Housing: polycarbonate, UV-resistant  
Material color: pure white glossy, similar to RAL9010



**Central plate Indoor 180 55 x 55 mm**

Art.No: 39241

Dimensions: 55 x 55 mm  
Housing: polycarbonate, UV-resistant  
Material color: signal white glossy, similar to RAL9003



**Central plate Indoor 180 55x55**

Art.No: 39242

Dimensions: 55 x 55 mm  
Housing: polycarbonate, UV-resistant  
Material color: traffic white glossy, similar to RAL9016



**Central plate Indoor 180 S1 56x56**

Art.No: 35126

Dimensions: 56 x 56 mm  
Housing: polycarbonate, UV-resistant  
Material color: pure white glossy, similar to RAL9010



**Central plate Indoor 180 56x56 modular2**

Art.No: 35127

Dimensions: 56 x 56 mm  
Housing: polycarbonate, UV-resistant  
Material color: pure white glossy, similar to RAL9010



**Blinds Indoor 180 transparent**

Art.No: 92294

Housing: polycarbonate, UV-resistant



**Blind Indoor 180**

Art.No: 33233

Housing: polycarbonate, UV-resistant  
Material color: white