



## HF-L11

Prod.No. 94447 EAN: 4007529944477

- Voltage: 230 V AC  $\pm 10\%$  50 / 60 Hz
- Dimensions:  $\varnothing$  375 x 125 mm
- Lamp: max. 2 x 23 W with bulb socket E 27

### Order data

Designation	Colour	Art.No
HF-L11	white	94447

## Technical data

Voltage:	230 V AC $\pm$ 10% 50 / 60 Hz
Dimensions:	Ø 375 x 125 mm max. 2 x 23 W with bulb socket E 27
Lamp:	
Photobiological safety:	RG 0
Degree / class of protection:	IP40 / Class I
Impact strength:	IK02
Ambient temperature:	-15 °C to +30 °C
Housing:	acrylic glass
Material color:	white

### Microwave detector

Type of contact (k):	$\mu$ -contact, NO contact
Radar / HF technology:	5.8 GHz, < 10 mW 1200 W, $\cos \varphi = 1$
Switching power:	600 VA, $\cos \varphi =$ 0.5
Detection area:	horizontal 360° (Ceiling mounting) Ø 0.4 - 16 m
Follow-up time:	15 sec - 15 min
Switch-on threshold:	2 - 2000 Lux

## Product information

Wall and ceiling light with integrated microwave detector

HF technology: 5.8 GHz - reacts to the smallest motion, independently of temperature

Extremely short response time

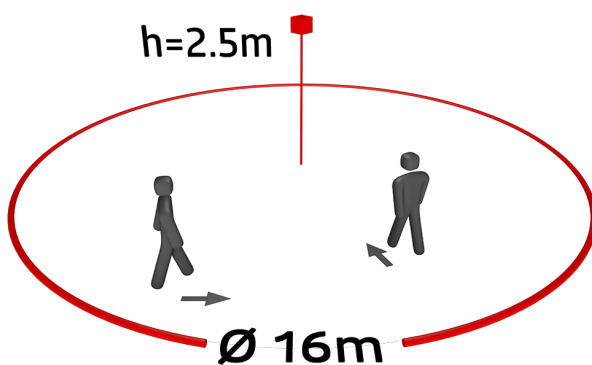
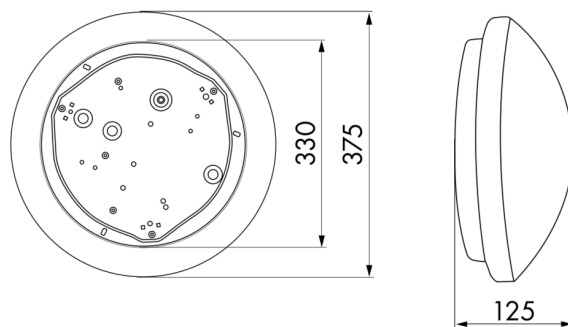
Range, switch-on threshold and follow-up time set via potentiometers

Possibility to connect other lights which are also controlled by the one microwave detector

Supply without lamp

### Application examples:

corridors, halls, staircases, storage rooms, cellars, toilets



h (m)	Ø (m)	E (lx)
1.0	3.9	317
2.0	7.9	79
3.0	11.8	35
4.0	15.7	20
5.0	19.6	13

