



HF-L1

Prod.No. 94440 EAN: 4007529944408

- Voltage: 230 V AC $\pm 10\%$ 50 / 60 Hz
- Dimensions: \varnothing 275 x 85 mm
- Lamp: max. 23 W with bulb socket E 27

Order data

Designation	Colour	Art.No
HF-L1	white	94440

Accessories

Designation	Colour	Art.No
Sealing ring IP54 HF-L1	-	37849

Technical data

Voltage:	230 V AC \pm 10% 50 / 60 Hz
Dimensions:	Ø 275 x 85 mm
Lamp:	max. 23 W with bulb socket E 27
Photobiological safety:	RG 0
Degree / class of protection:	IP40 / Class II
Ambient temperature:	-15 °C to +30 °C
Housing:	silk-mat glass
Material color:	white
Microwave detector	
Radar / HF technology:	5.8 GHz, < 10 mW
Switching power:	1200 W, $\cos \varphi = 1$ 600 VA, $\cos \varphi =$ 0.5
Detection area:	horizontal 360° (Ceiling mounting) Ø 0.4 - 16 m
Follow-up time:	5 sec - 15 min
Switch-on threshold:	2 - 2000 Lux

Product information

Wall and ceiling light with integrated microwave detector

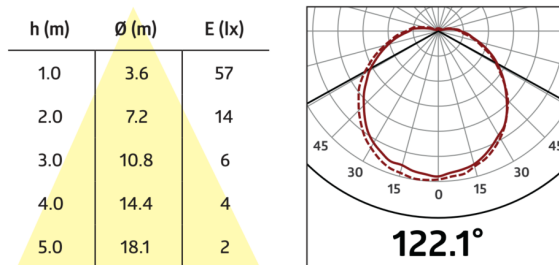
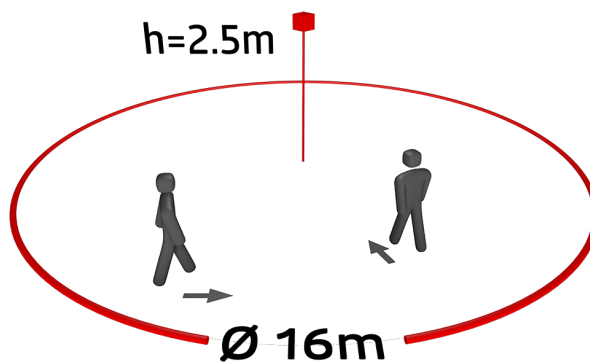
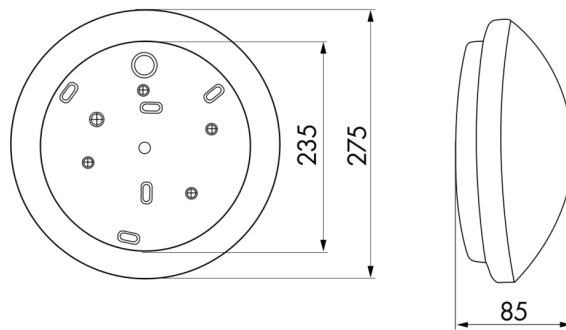
Range, switch-on threshold and follow-up time set via potentiometers

HF technology: 5.8 GHz - reacts to the smallest motion, independently of temperature

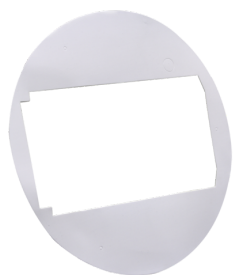
Extremely short response time

Possibility to connect other lights which are also controlled by the one microwave detector

Supply without lamp



Accessories



Sealing ring IP54 HF-L1

Art.No: 37849

Dimensions: Ø 230 mm

Degree / class of protection: IP54

Material color: -