

B.E.G.**LUXOMAT®**

BL2-FC Set 93317-93256

- Voltage: 110 - 240 V
- Dimensions: $\varnothing 80 \times 61 \text{ mm} + \varnothing 109 \times 50 \text{ mm}$ (93256)
- Power consumption: 0.3 W

Areas of application

- corridors/hallways
- staircases
- toilets
- equipment rooms

Order data

Designation	Colour	Art.No
BL2-FC	white	93317
Mounting set BL2-SM	white	93256

Technical data

Voltage:	110 - 240 V
Dimensions:	Ø 80 x 61 mm + Ø 109 x 50 mm (93256)
Power consumption:	0.3 W
Detection area:	horizontal 360° (Ceiling mounting) max. Ø 8 m across max. Ø 4.8 m towards max. Ø 3.2 m seated
Range:	
Monitored area (tangential movement):	50 m ² / 2.5 m mounting height
Mounting height min./max./recommended:	2 m / 5 m / 2.5 m
Degree / class of protection:	IP23 / Class II
Impact strength:	IK05
Ambient temperature:	-25 °C to +50 °C
Housing:	polycarbonate, UV-resistant
Material color:	white
Connections and wires:	0.5 - 1.5 mm ² for solid conductors
Channel 1 (lighting control)	
Switching power:	1000 W, cos φ = 1 500 VA, cos φ = 0.5 400 W LED
Type of contact (k):	1x μ-contact, NO contact
Follow-up time:	15 sec - 60 min
Switch-on threshold:	10 - 2000 Lux

Product information

Set : BL2-FC + Mounting set BL2-SM white

Ceiling motion detector for indoor use with a 360° detection area

For mounting in suspended ceilings

One channel for light switching

Zero crossing switching

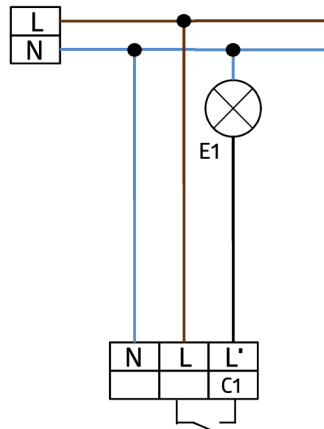
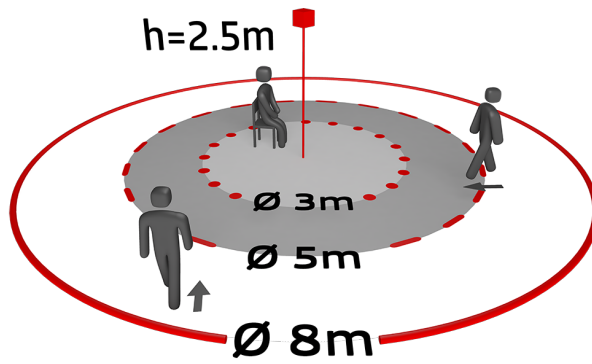
Easy operation with remote control (required)

Basic functions for cost-effective applications

Ready-to-operate thanks to factory settings

Accessory for surface mounting and flush mounting available

Factory setting: High detection sensitivity, follow-up time 3 min, switch-on threshold 500 lux



Set items

To receive the bundle according to the technical specification, please order the items listed.



BL2-FC

Art.No: 93317

Voltage: 110 – 240 V
Dimensions: Ø 80 x 61 mm
Power consumption: 0.3 W



Mounting set BL2-SM

Art.No: 93256

Dimensions: Ø 109 x 50 mm
Degree / class of protection: IP23
Material color: white