

**B.E.G.****LUXOMAT®**

## BL2-FC Set 93317-93251

- Voltage: 110 - 240 V
- Dimensions: Ø 80 x 61 mm + Ø 104 x 19 mm (93251)
- Power consumption: 0.3 W

### Areas of application

- corridors/hallways
- staircases
- toilets
- equipment rooms

### Order data

Designation	Colour	Art.No
BL2-FC	white	93317
Mounting set BL2-FM	white	93251

## Technical data

Voltage:	110 - 240 V
Dimensions:	<b>Ø 80 x 61 mm + Ø 104 x 19 mm (93251)</b>
Power consumption:	0.3 W
Detection area:	horizontal 360° (Ceiling mounting) max. Ø 8 m across
Range:	max. Ø 4.8 m towards max. Ø 3.2 m seated
Monitored area (tangential movement):	50 m <sup>2</sup> / 2.5 m mounting height
Mounting height min./max./recommended:	2 m / 5 m / 2.5 m
Degree / class of protection:	IP23 / Class II
Impact strength:	IK05
Ambient temperature:	-25 °C to +50 °C
Housing:	polycarbonate, UV-resistant
Material color:	white
Connections and wires:	0.5 - 1.5 mm <sup>2</sup> for solid conductors

### Channel 1 (lighting control)

Switching power:	1000 W, $\cos \varphi = 1$ 500 VA, $\cos \varphi = 0.5$ 400 W LED
Type of contact (k):	1x $\mu$ -contact, NO contact
Follow-up time:	15 sec - 60 min
Switch-on threshold:	10 - 2000 Lux

## Product information

Set : BL2-FC + Mounting set BL2-FM white

Ceiling motion detector for indoor use with a 360° detection area

For mounting in suspended ceilings

One channel for light switching

Zero crossing switching

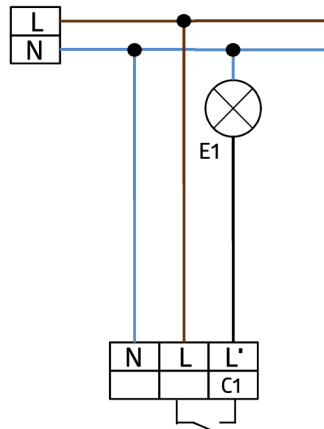
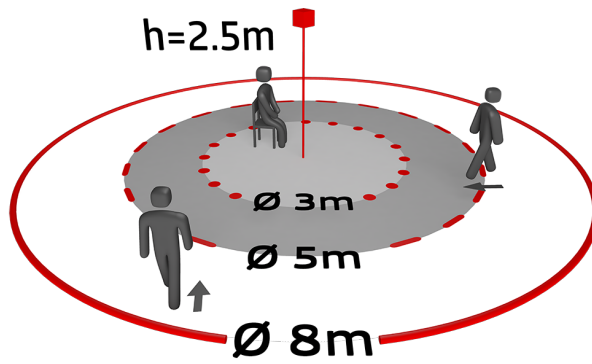
### Easy operation with remote control (required)

Basic functions for cost-effective applications

Ready-to-operate thanks to factory settings

Accessory for surface mounting and flush mounting available

Factory setting: High detection sensitivity, follow-up time 3 min, switch-on threshold 500 lux



## Set items

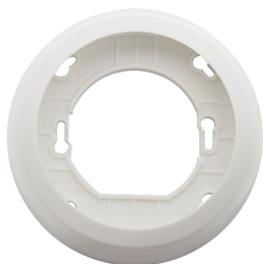
To receive the bundle according to the technical specification, please order the items listed.



### **BL2-FC**

Art.No: 93317

Voltage: 110 – 240 V  
Dimensions: Ø 80 x 61 mm  
Power consumption: 0.3 W



### **Mounting set BL2-FM**

Art.No: 93251

Dimensions: Ø 104 x 19 mm  
Material color: white