



AL93-20-300-LED-3C-HF

Prod.No. 93632 EAN: 4007529936328

- Voltage: 220 - 240 V AC 50 / 60 Hz
- Dimensions: Ø 300 x 51.3 mm
- Colour temperature: 3000 / 4000 / 5700 K

Areas of application

- corridors/hallways
- staircases
- toilets
- equipment rooms
- entrance halls
- plumbed rooms/bathrooms

Order data

Designation	Colour	Art.No
AL93-20-300-LED-3C-HF	white	93632

Technical data

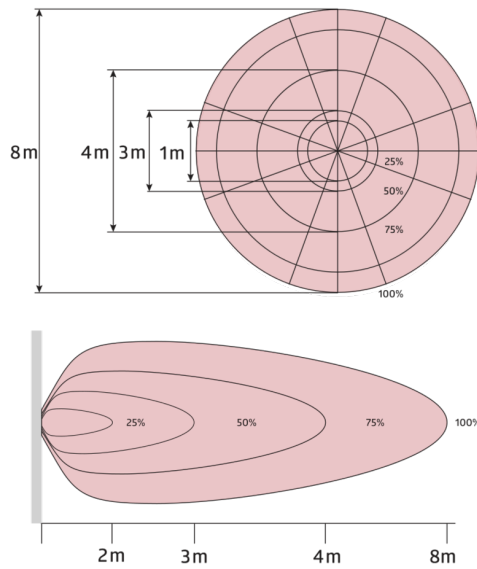
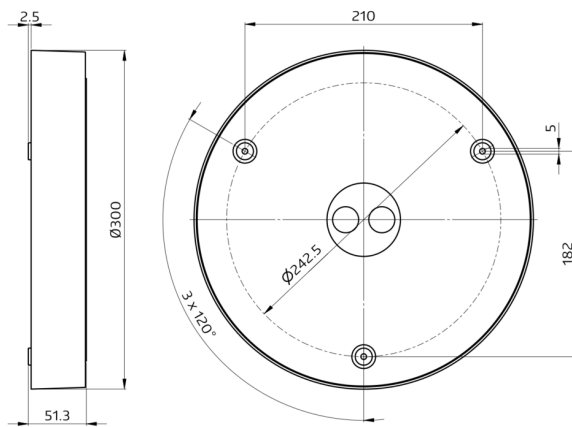
Voltage:	220 - 240 V AC 50 / 60 Hz
Dimensions:	Ø 300 x 51.3 mm
Colour temperature:	3000 / 4000 / 5700 K
Luminous flux / intensity:	1600 / 1850 / 1700 lm
Anti-glare:	UGR < 19
Efficiency:	80 / 92 / 85 lm/W
Photobiological safety:	RG 0
Colour reproduction:	CRI > 80
Rated life time:	50000 h (L80/B10)
Power consumption:	20 W / PF 0.9
Degree / class of protection:	IP54 / Class II
Flammability rating:	UL-94 V2, 750 °C
Impact strength:	IK08
Ambient temperature:	-20 °C to +45 °C
Housing:	Polycarbonate / ADC12
Material color:	white, similar to RAL9016

Microwave detector

Radar / HF technology:	5.8 GHz, < 0.5 mW
Detection area:	horizontal 360° (Ceiling mounting) Ø 2 - 8 m
Range:	max. Ø 14 m towards
Follow-up time:	5 sec - 30 min
Switch-on threshold:	inactive / 5 - 50 Lux

Product information

- Flat round LED luminaires for ceiling mounting
 - Three colours in one light, switchable selection between warm, neutral or daylight white illumination
 - Energy efficient light with long service life > 50,000 hours
 - Anti-glare system with recessed LED and diffusers
 - Integrated microwave sensor, not externally visible, wide detection range
 - HF technology: 5.8 GHz - reacts to the smallest motion, independently of temperature
 - DIP switches to set follow-up time, switch-on threshold and sensor sensitivity
 - Sturdy plastic case made of polycarbonate
 - Easy installation with a socket incl. Clamps
- Application examples:**
corridors/hallways, staircases, toilets, equipment rooms, entrance halls, plumbed rooms/bathrooms



h (m)	Ø (m)	E (lx)
1.0	1.2	1518
2.0	2.5	379
3.0	3.7	169
4.0	4.9	95
5.0	6.1	61

