

B.E.G.**LUXOMAT®****10x**

10 x BL2-FC

Prod.No. 93327 EAN: 4007529933273



- Voltage: 110 - 240 V
- Dimensions: Ø 80 x 61 mm
- Power consumption: 0.3 W

Order data

Designation	Colour	Art.No
10 x BL2-FC	white	93327

Accessories

Designation	Colour	Art.No
IR-BL	-	93055
Wire basket BSK (Ø 200 x 90 mm)	white	92199
RC-Arc extinction kit	white	10880
Mini-RC-Arc extinction kit		10882
Mounting set BL2-SM	white	93256
Mounting set BL2-FM	white	93251

Technical data

Voltage:	110 – 240 V
Dimensions:	Ø 80 x 61 mm
Power consumption:	0.3 W
Detection area:	horizontal 360° (Ceiling mounting) max. Ø 8 m across
Range:	max. Ø 4.8 m towards max. Ø 3.2 m seated
Monitored area (tangential movement):	50 m ² / 2.5 m mounting height
Mounting height min./max./recommended:	2 m / 5 m / 2.5 m
Degree / class of protection:	IP23 / Class II
Impact strength:	IK05
Ambient temperature:	-25 °C to +50 °C
Housing:	polycarbonate, UV-resistant
Material color:	white
Connections and wires:	0.5 – 1.5 mm ² for solid conductors

Channel 1 (lighting control)

Switching power:	1000 W, cos φ = 1 500 VA, cos φ = 0.5 400 W LED
Type of contact (k):	1x μ -contact, NO contact
Follow-up time:	15 sec – 60 min
Switch-on threshold:	10 – 2000 Lux

Product information

Ceiling motion detector for indoor use with a 360° detection area

For mounting in suspended ceilings

One channel for light switching

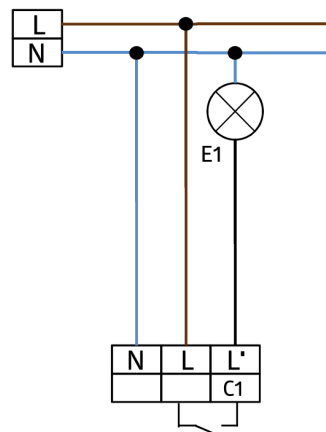
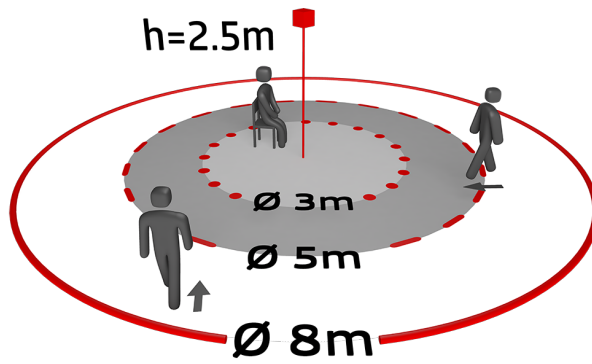
Easy operation with remote control (required)

Basic functions for cost-effective applications

Ready-to-operate thanks to factory settings

Accessory for surface mounting and flush mounting available

Factory setting: High detection sensitivity, follow-up time 3 min, switch-on threshold 500 lux



Accessories



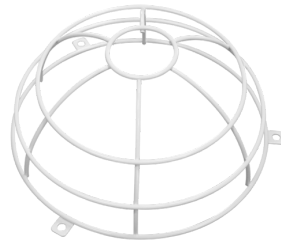
IR-BL

Art.No: 93055

Battery: 3.0 V Lithium CR2032 (inclusive)

Dimensions: 80 x 60 x 8 mm

Housing: polycarbonate, UV-resistant



Wire basket BSK (Ø 200 x 90 mm)

Art.No: 92199

Dimensions: Ø 200 x 90 mm

Impact strength: IK09

Housing: coated steel basket



RC-Arc extinction kit

Art.No: 10880

Voltage: 230 V AC ±10%

Dimensions: 38 x 12 x 26 mm

Degree / class of protection: IP20 / Class II



Mini-RC-Arc extinction kit

Art.No: 10882

Voltage: 230 V AC ±10%

Dimensions: 50 x 23 x 8 mm

Degree / class of protection: IP20 / Class II



Mounting set BL2-SM

Art.No: 93256

Dimensions: Ø 109 x 50 mm

Degree / class of protection: IP23

Material color: white



Mounting set BL2-FM

Art.No: 93251

Dimensions: Ø 104 x 19 mm

Material color: white